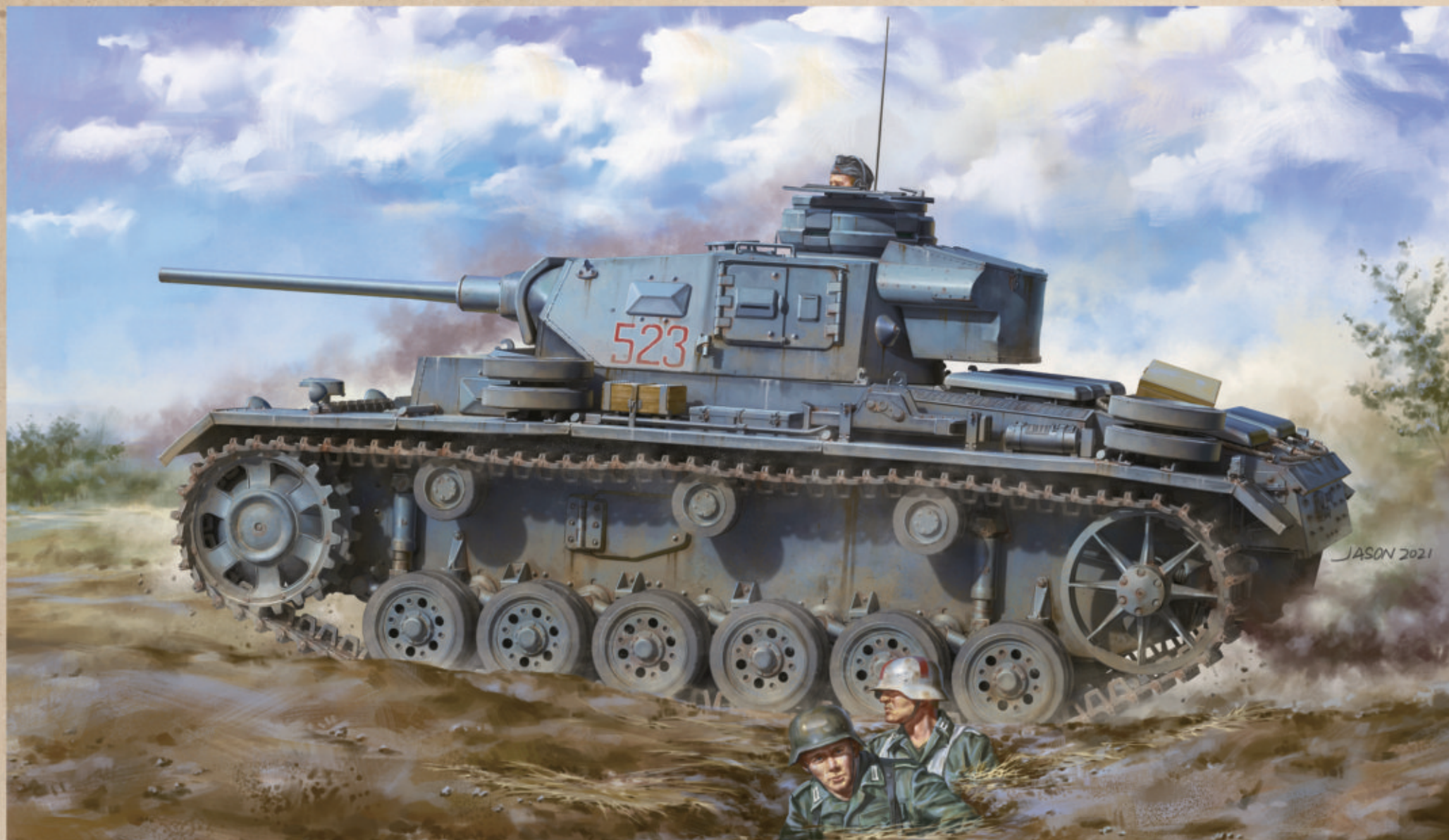




Panzer III Ausf.J *3 in 1*

DW16002



Vor dem Zusammenbau lesen!

READ BEFORE ASSEMBLY

CAUTION

- Read carefully and fully understand the instructions before commencing assembly. A supervising adult should also read the instructions if a child assembles the model.
- When assembling this kit, tools including knives used. Extra care should be taken to avoid personal injury.
- Keep out of reach of small children. Children must not be allowed to suck any part, or pull vinyl bag over their heads.



Optional



Instant Glue
for Metal



Do Not Cement



Be Careful

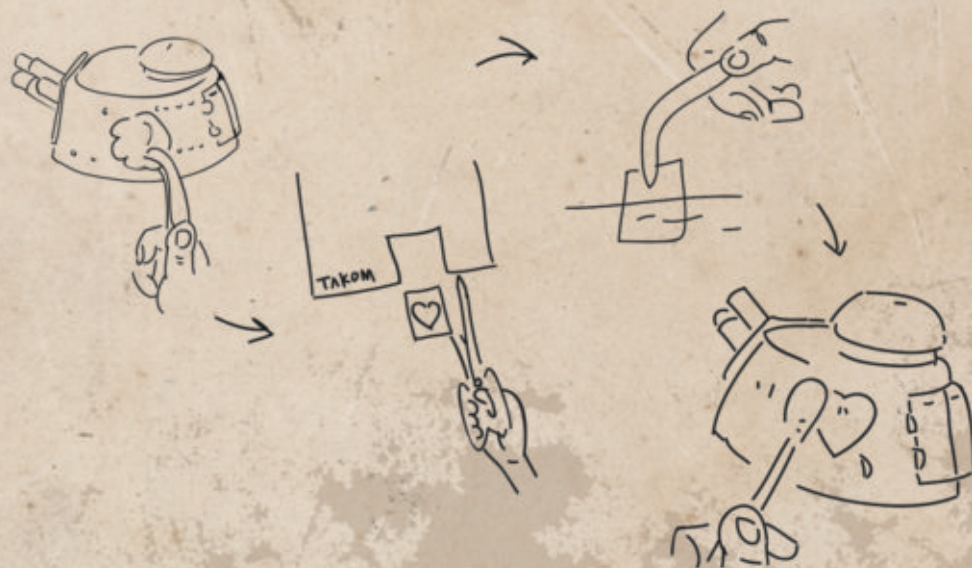
PAINTS REQUIRED

Color info and profiles by Mig Jimenez

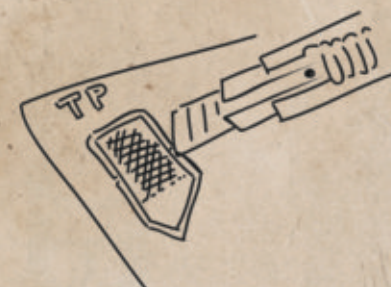
A.MIG-0031 Dark Tracks	A.MIG-0033 Rubber & Tires	A.MIG-0040 Gun Metal	A.MIG-0038 Old Wood
A.MIG-0022 Satin Black	A.MIG-0035 Crystal Periscope Green	A.MIG-0010 RAL 7028 Dunkelgelb (Mid War)	A.MIG-0037 New Wood
A.MIG-0039 Light Wood	A.MIG-0001 RAL 6003 Olivgrun Opt.1	A.MIG-0002 RAL 6003 Olivgrun Opt.2	A.MIG-0019 RAL 8017 Schokobraun

APPLYING DECALS

1. Clean the model surface with a wet cloth.
2. Cut out each decal design from sheet, and dip it in tepid water for 15-20 sec.
3. Hold the backing sheet edge and slide decal onto the model.
4. Move decal into position by wetting decal with finger.
5. Press decal gently down with a soft cloth until excess water and air bubbles are gone.



REMOVING PE



Be careful not to hurt when removing PE parts.

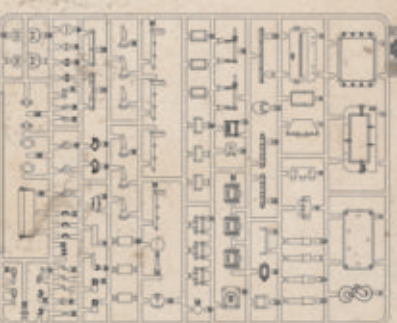
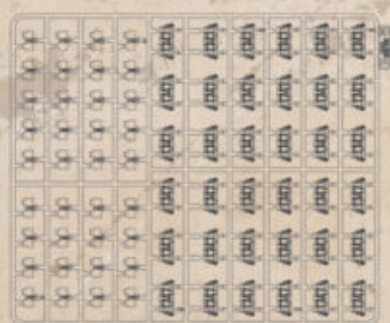
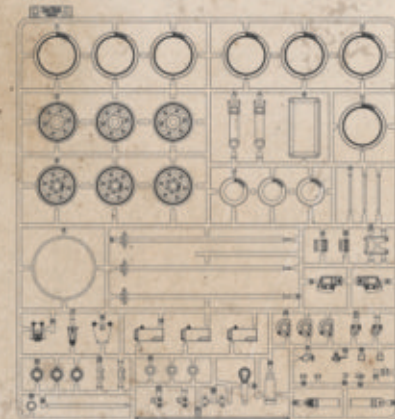
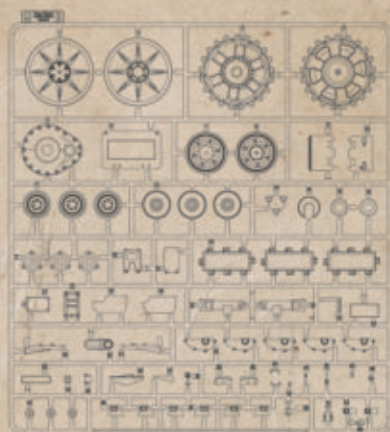
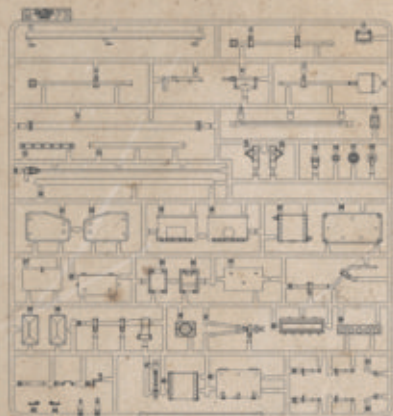
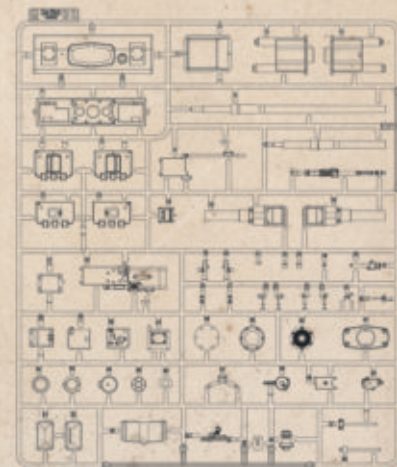
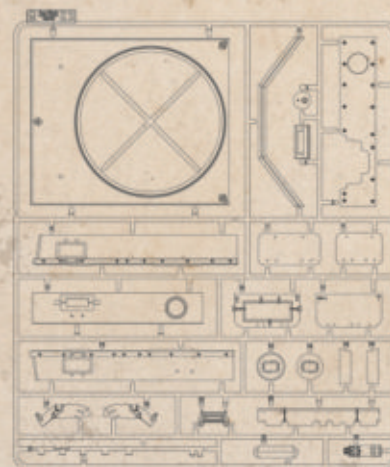
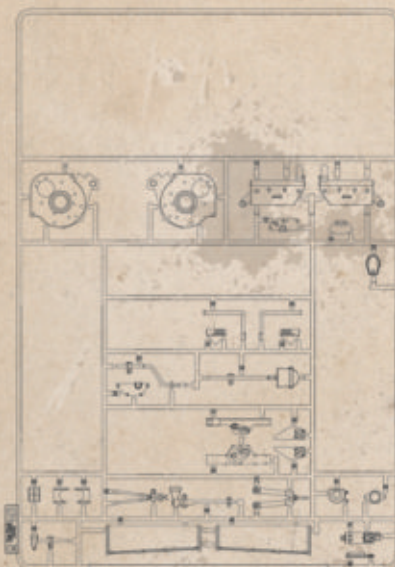
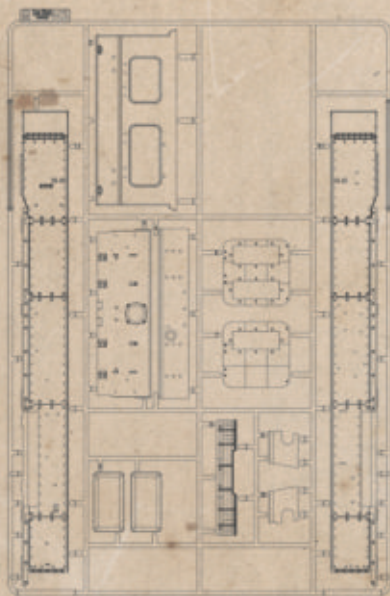
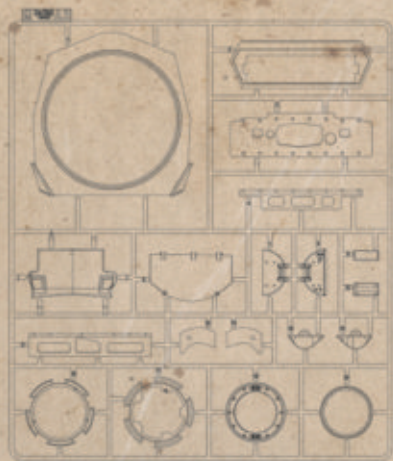


Secure using instant glue (not included).



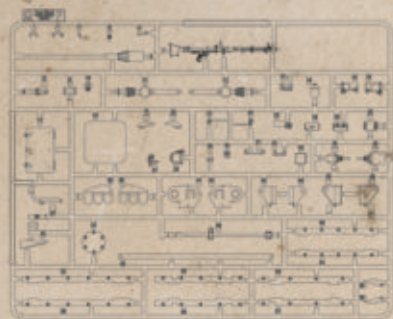
Finish using file.

PARTS



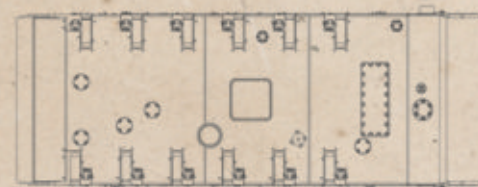
X6

X2



X2

X4



Lower Hull



C2

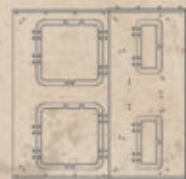


D2

Cable



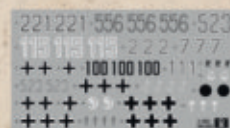
K2



K1



TP

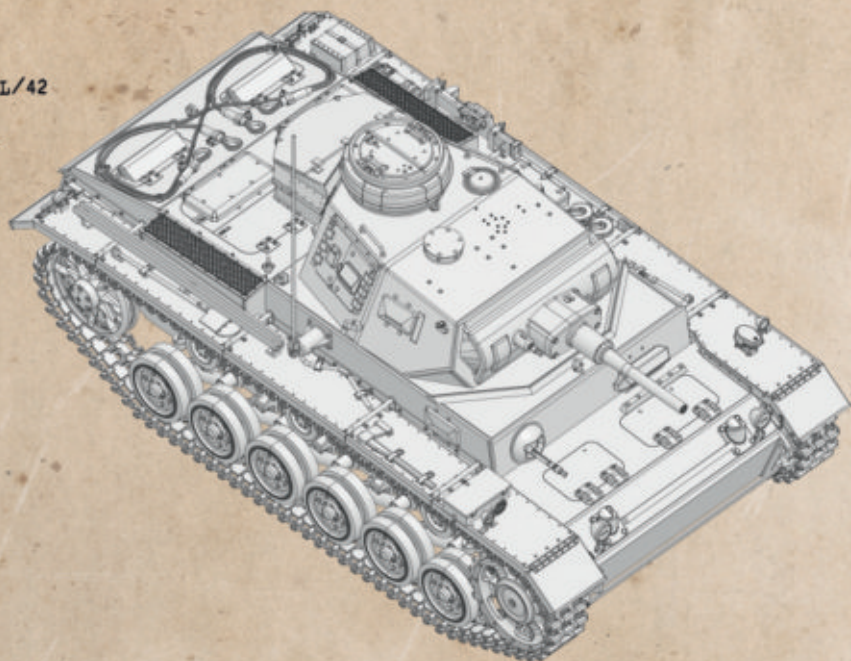


Decal

Choose your version - stick to the character A, B or C throughout the optional instruction steps!

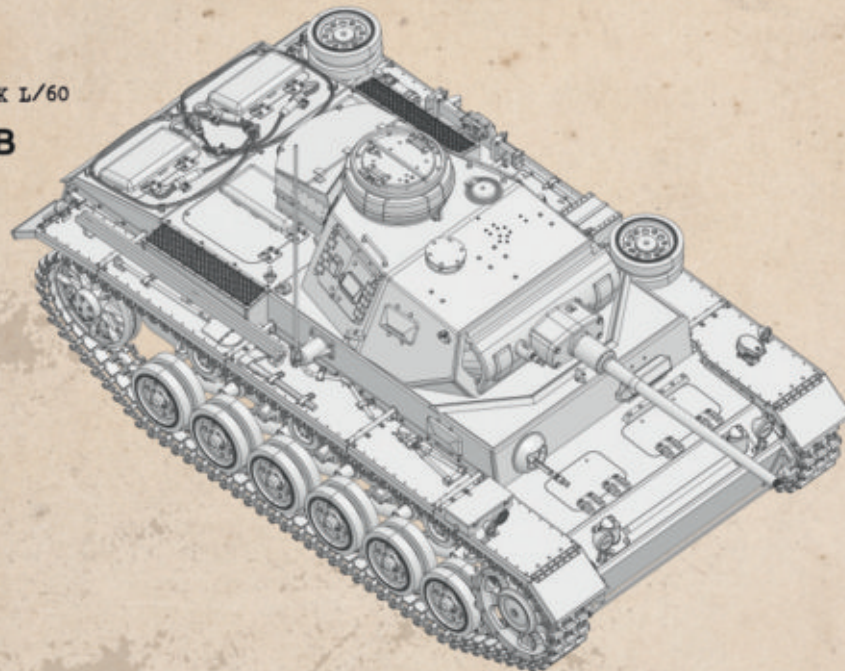
5cm KwK L/42

! A



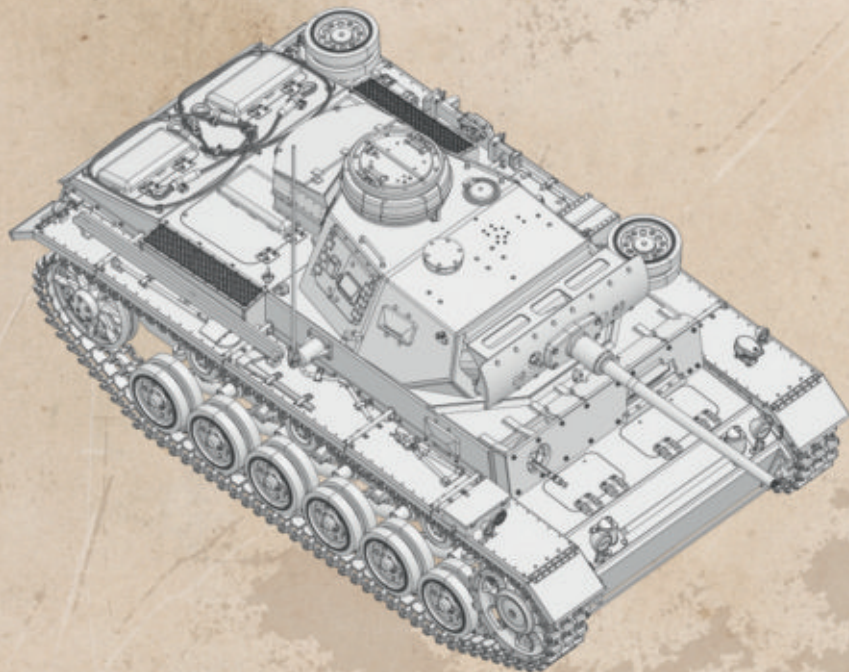
5cm KwK L/60

! B

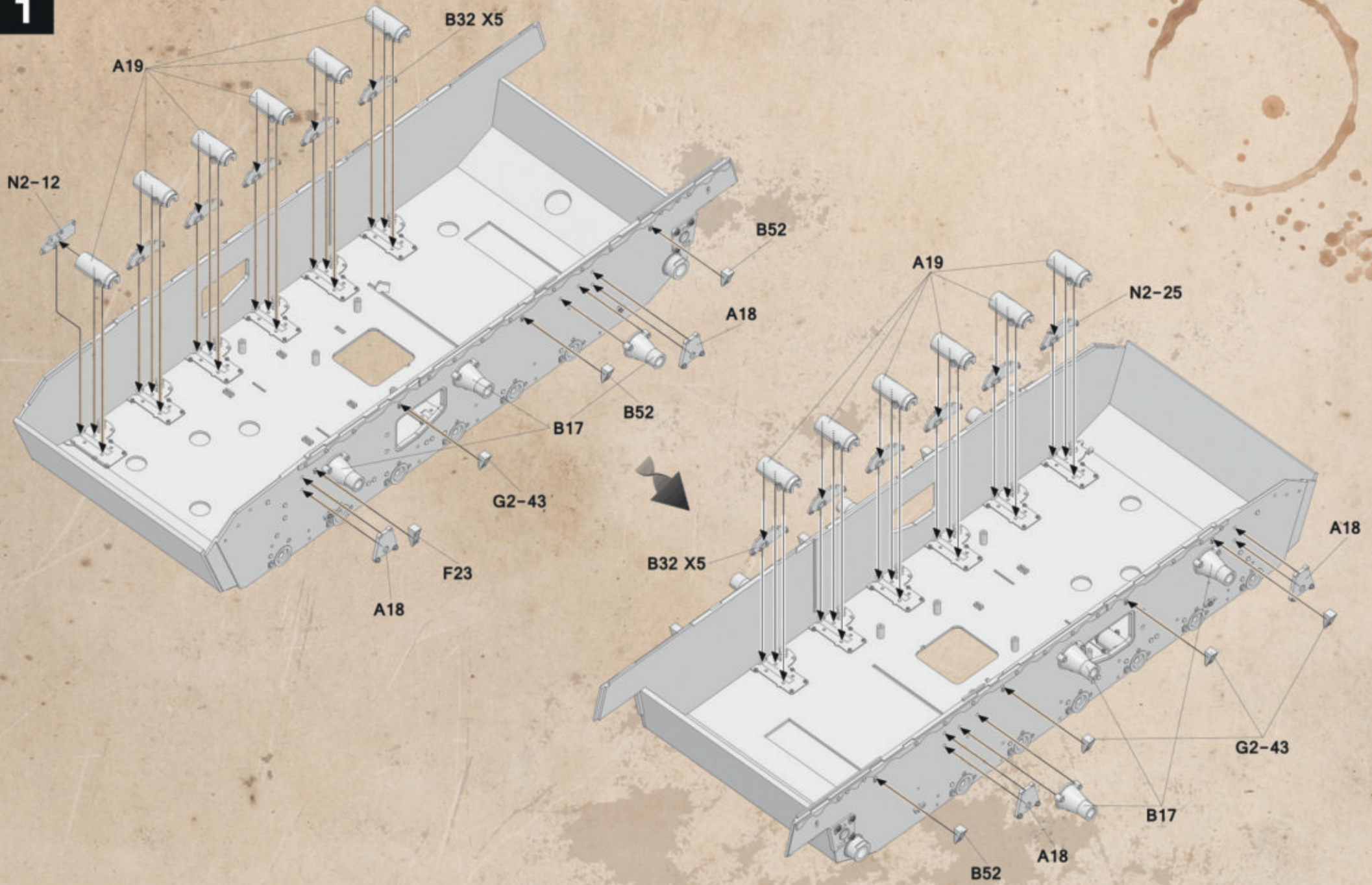


Vorpanzer Version

! C

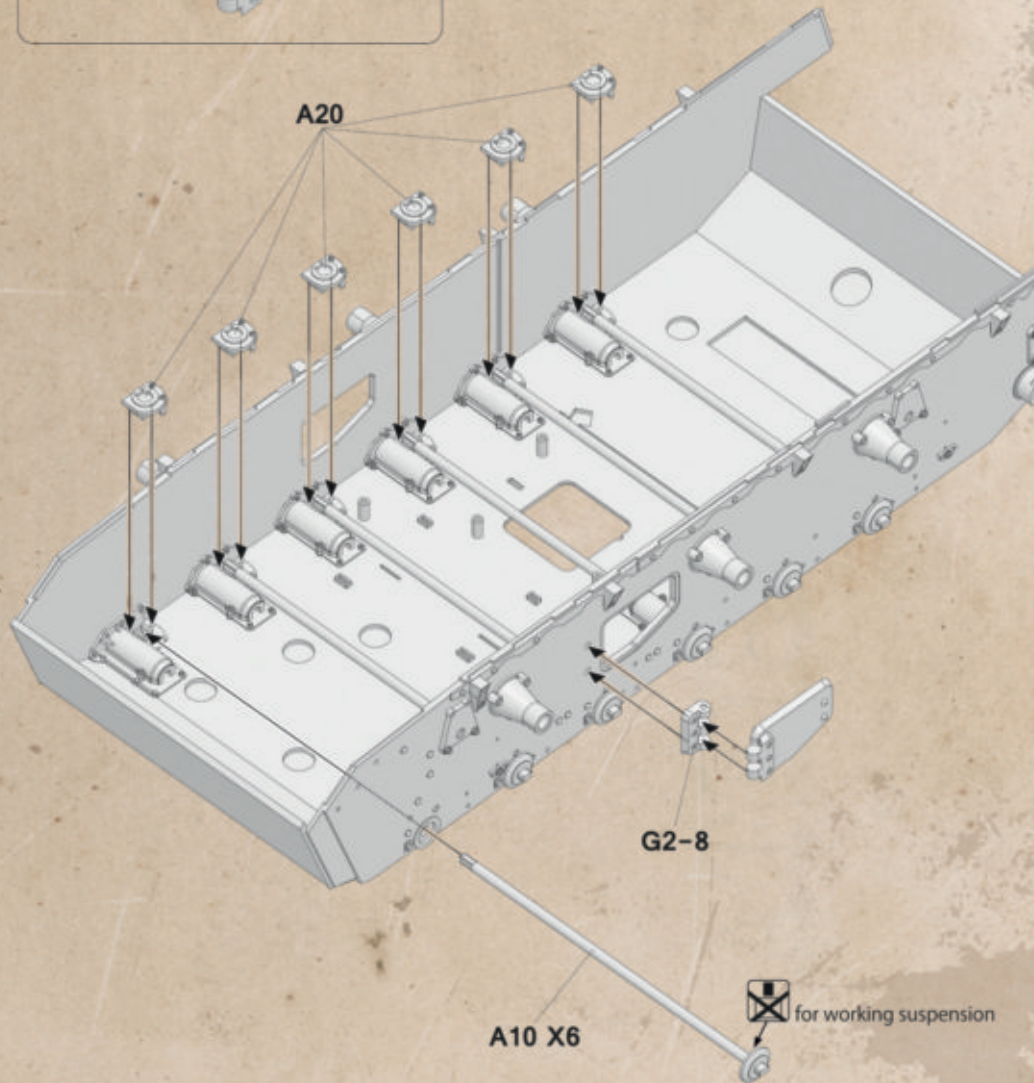
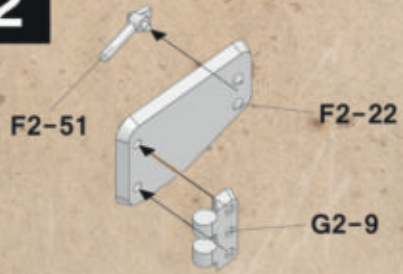


1

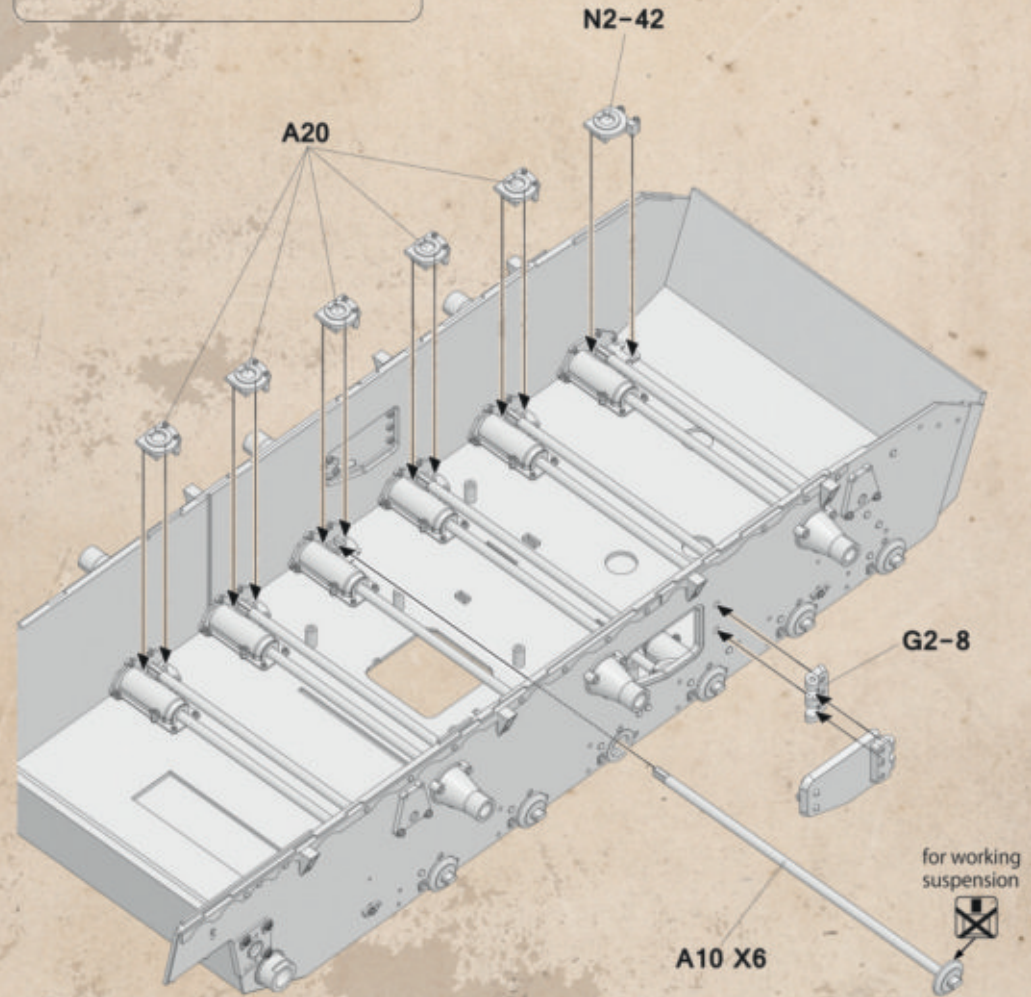
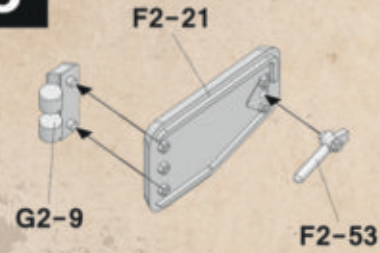


3

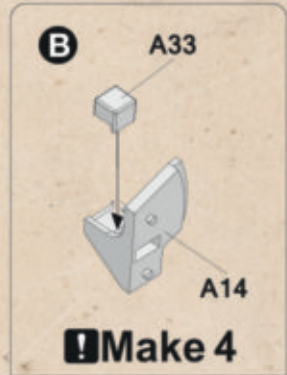
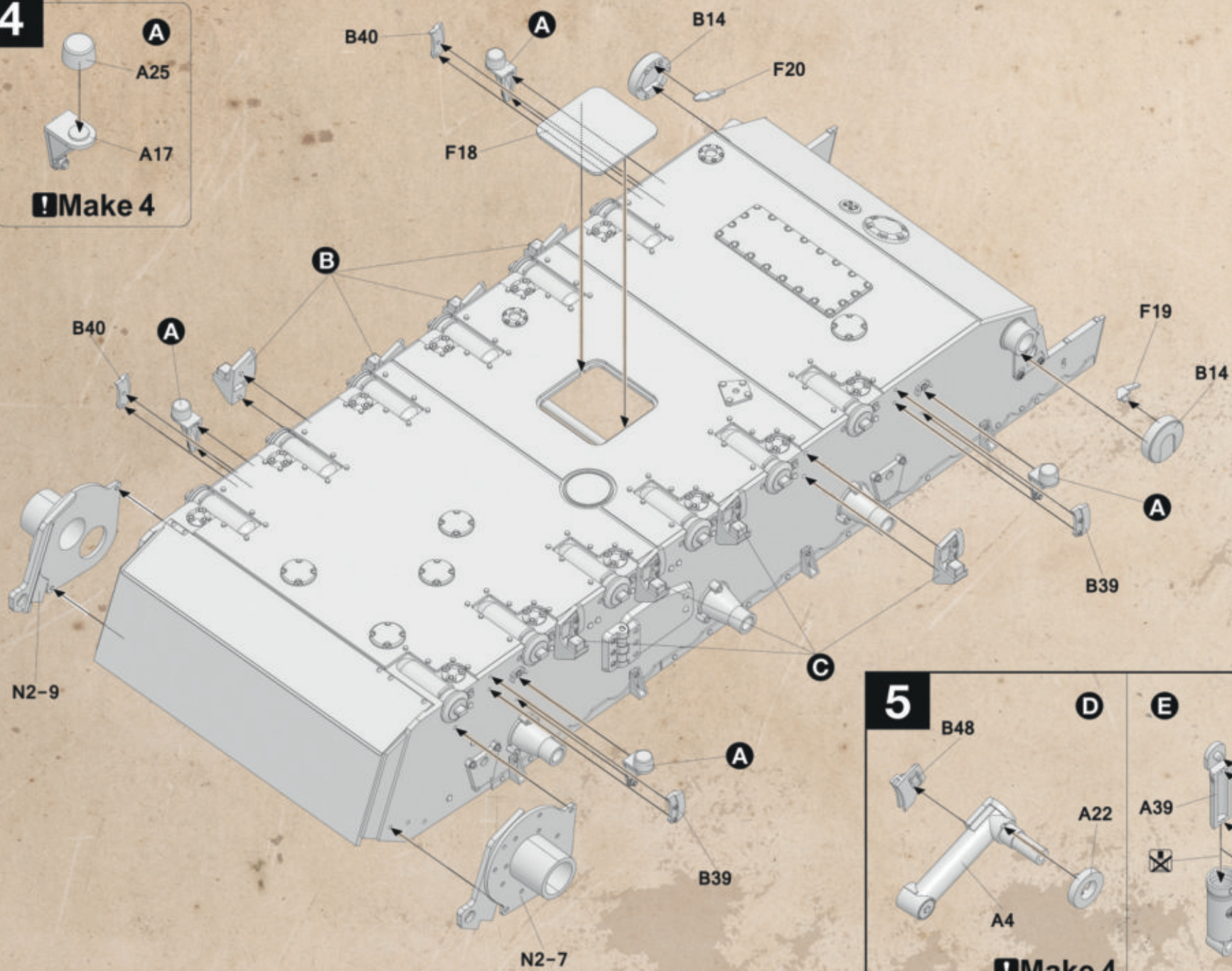
2



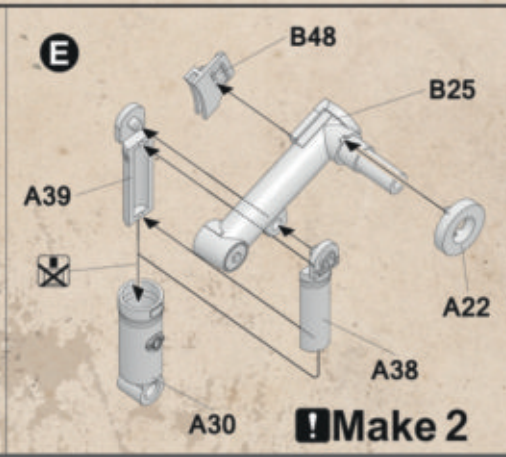
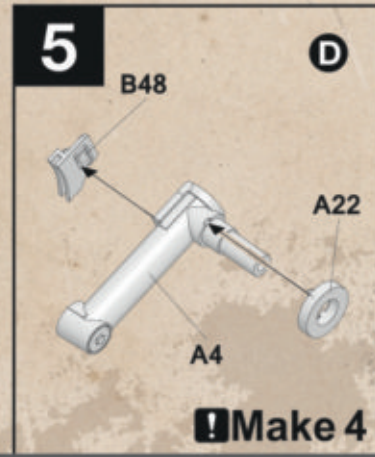
3

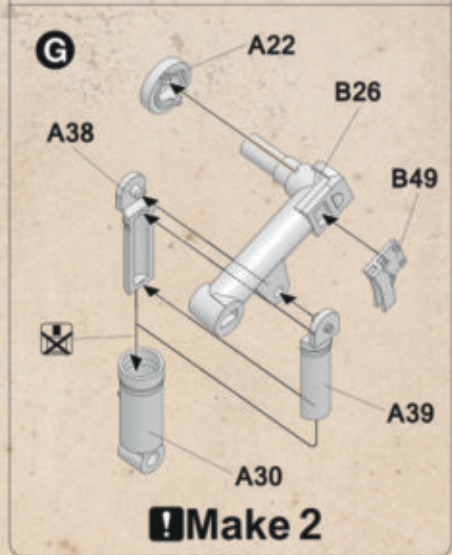
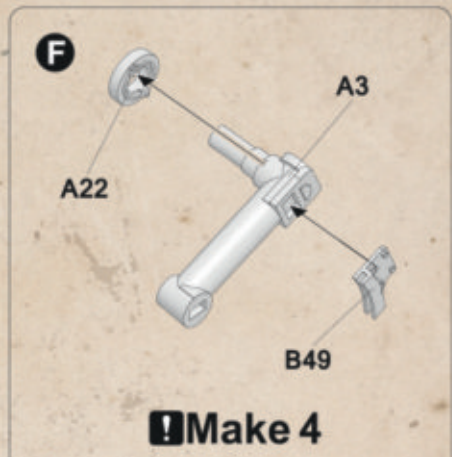
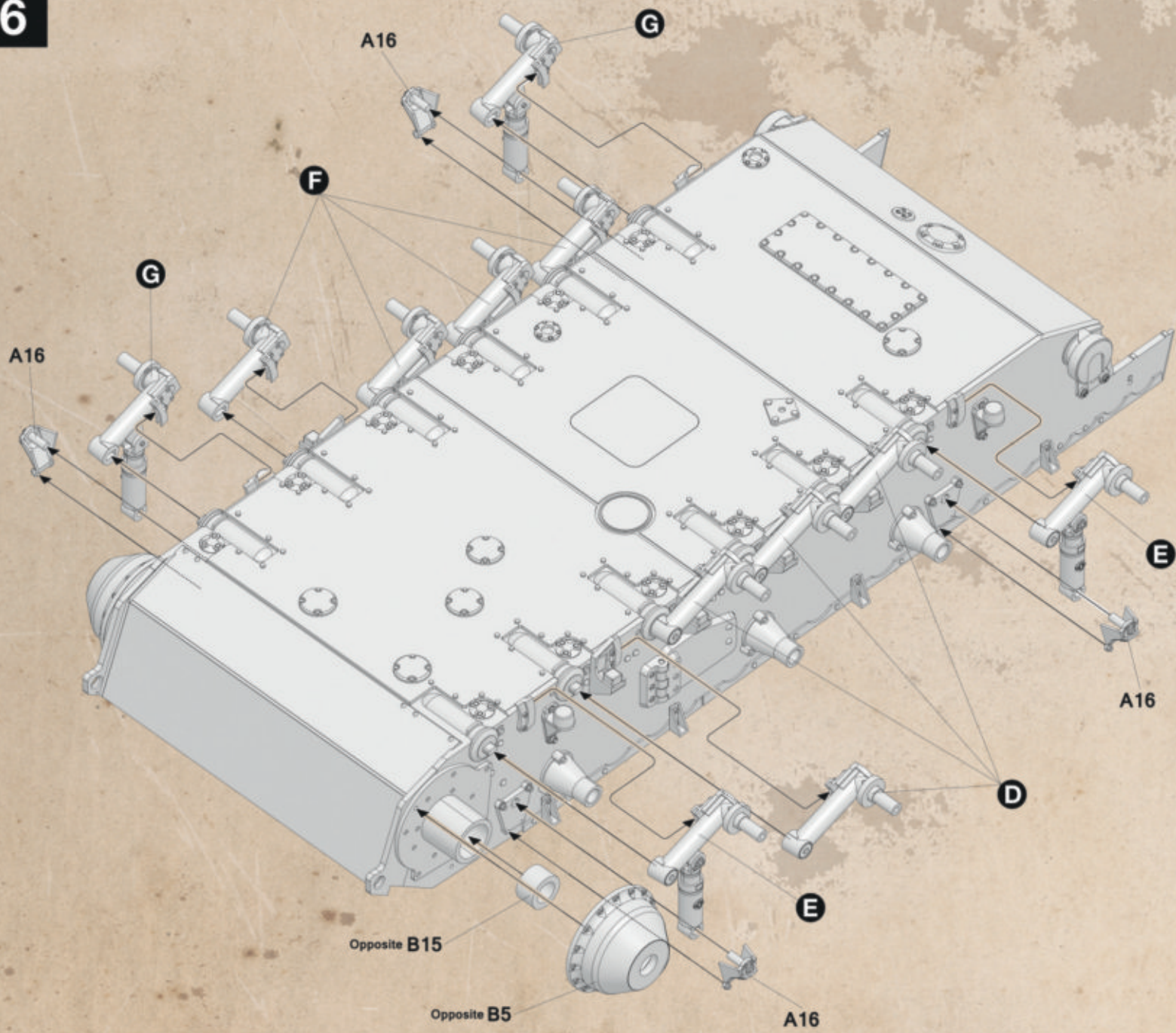


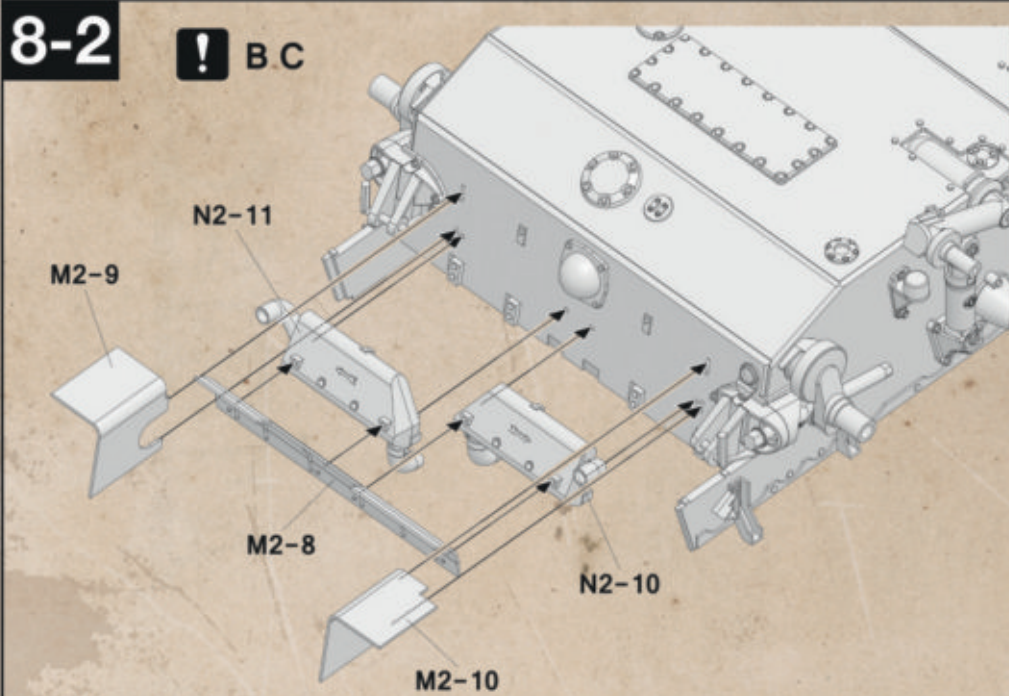
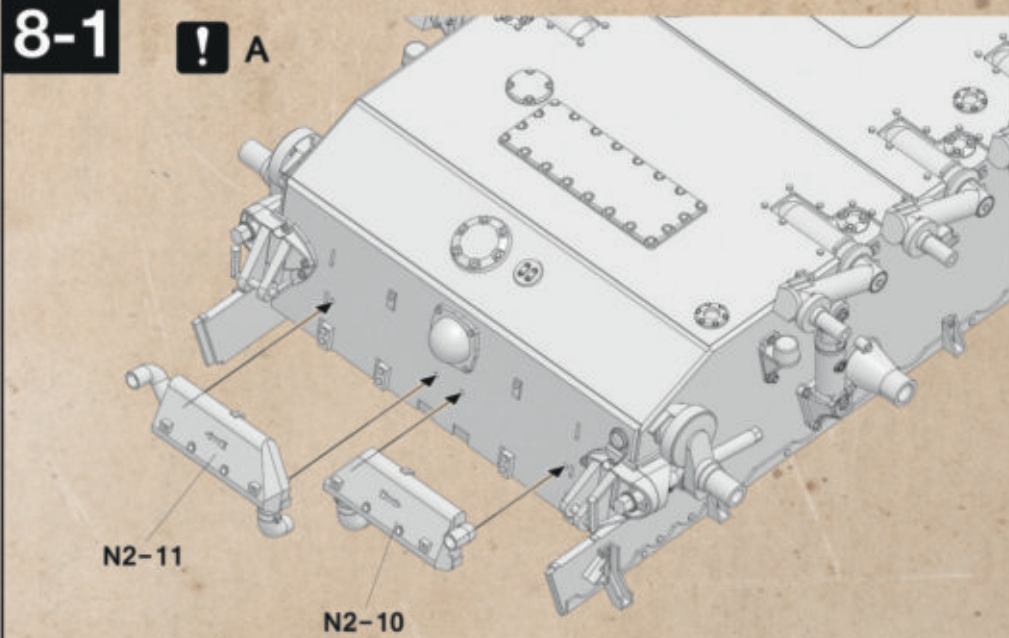
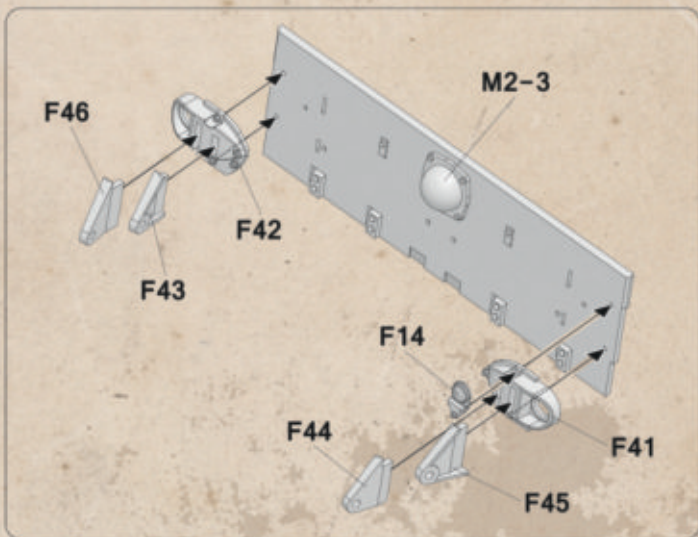
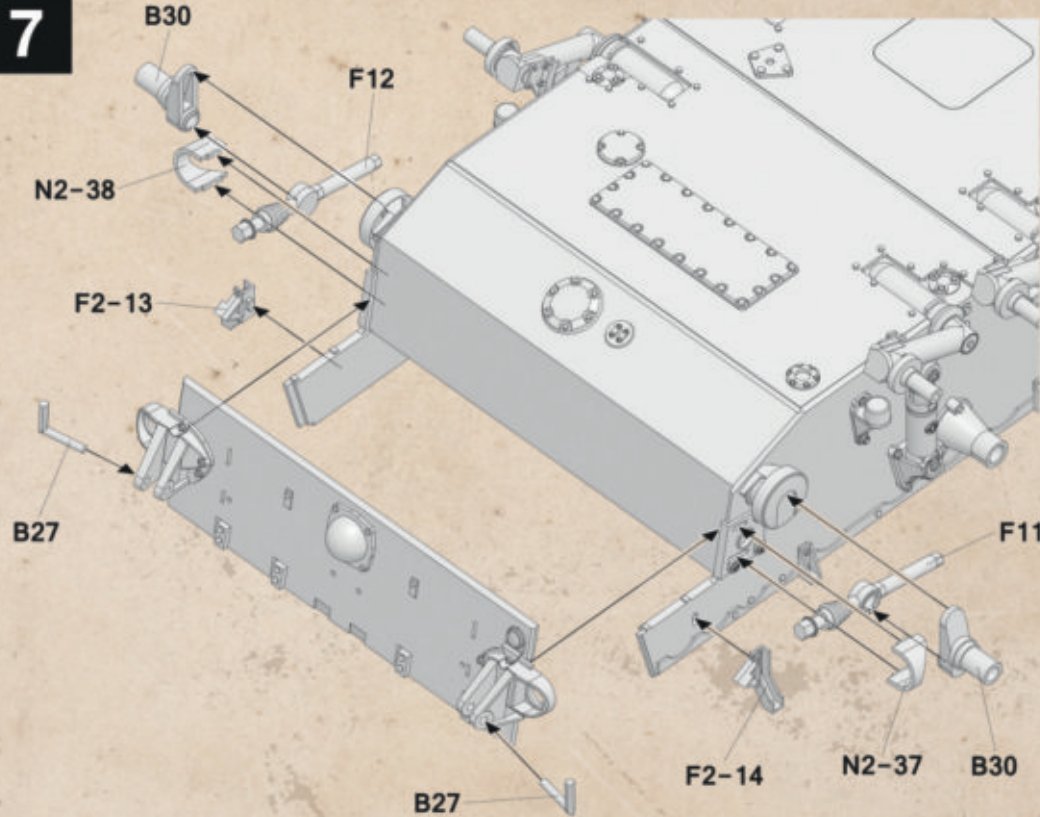
4



5

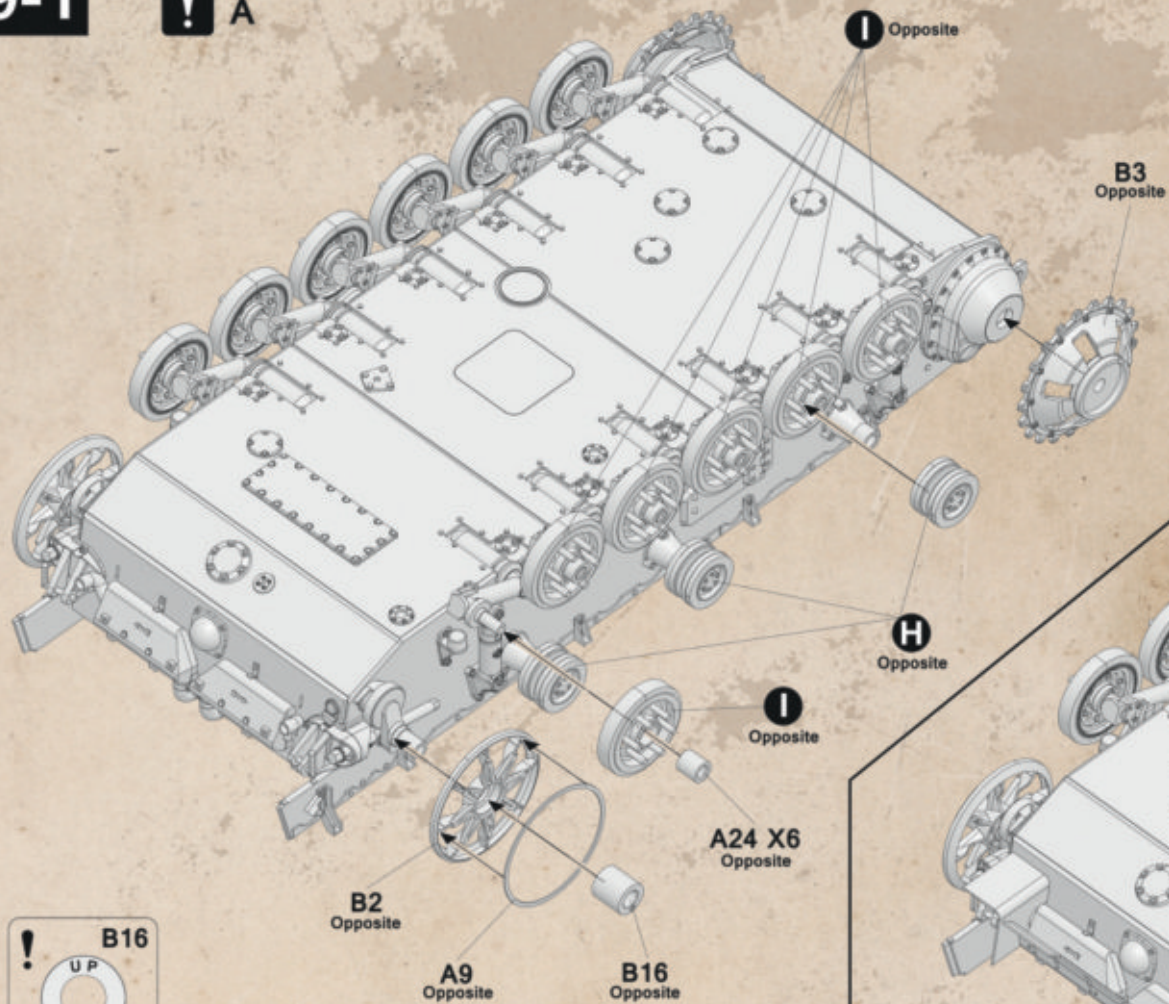






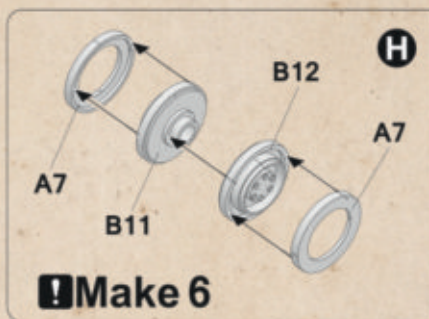
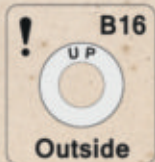
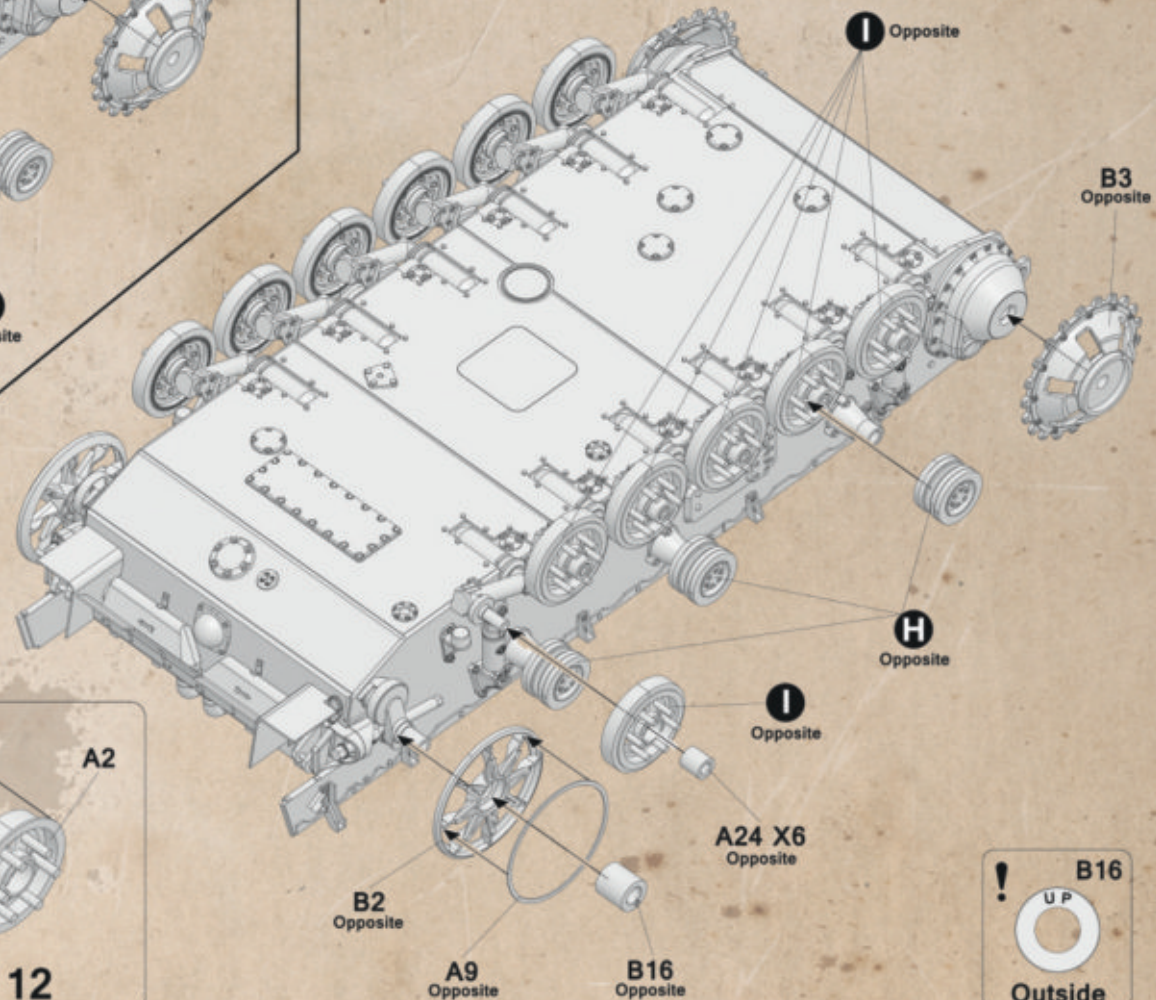
9-1

! A



9-2

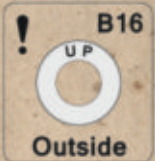
! B C



! Make 6

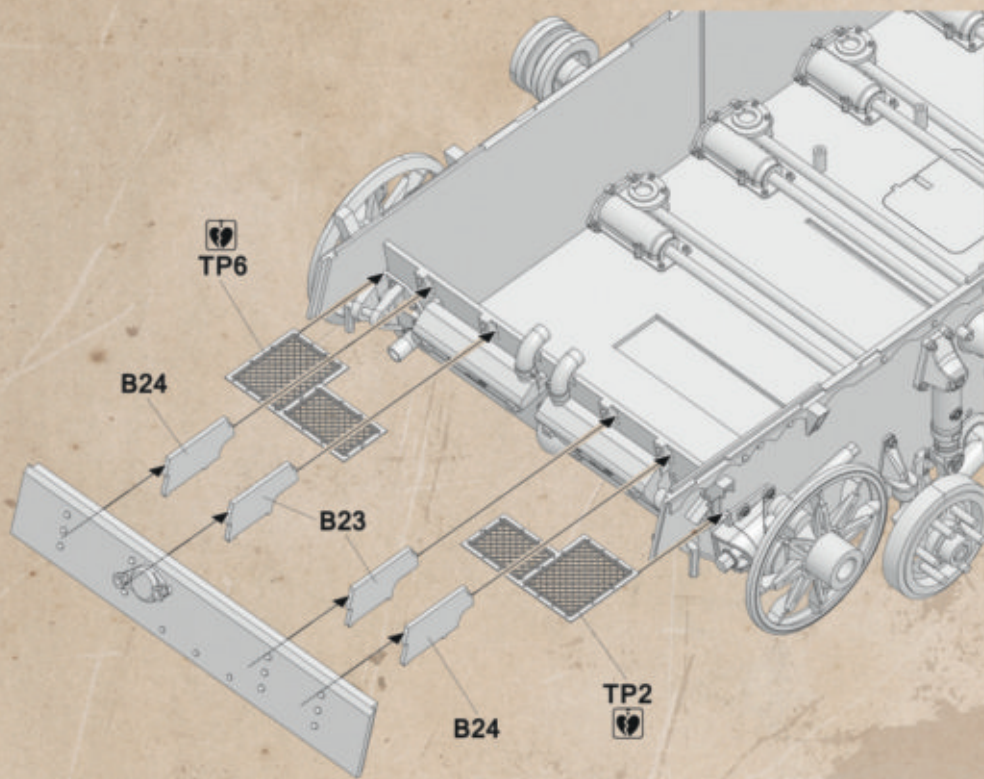


! Make 12



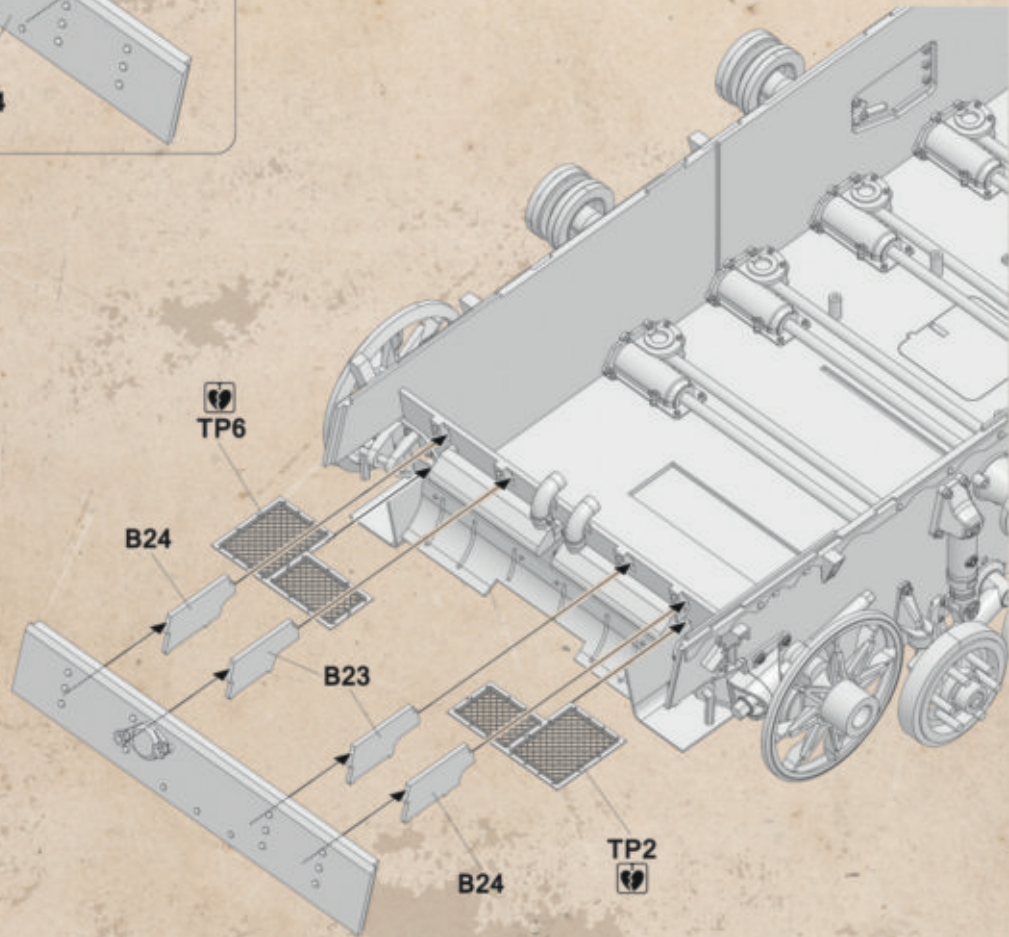
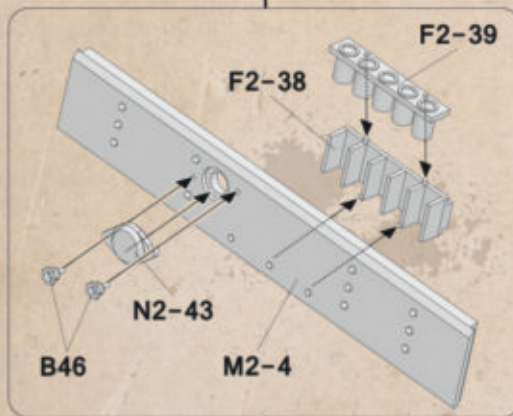
10-1

! A

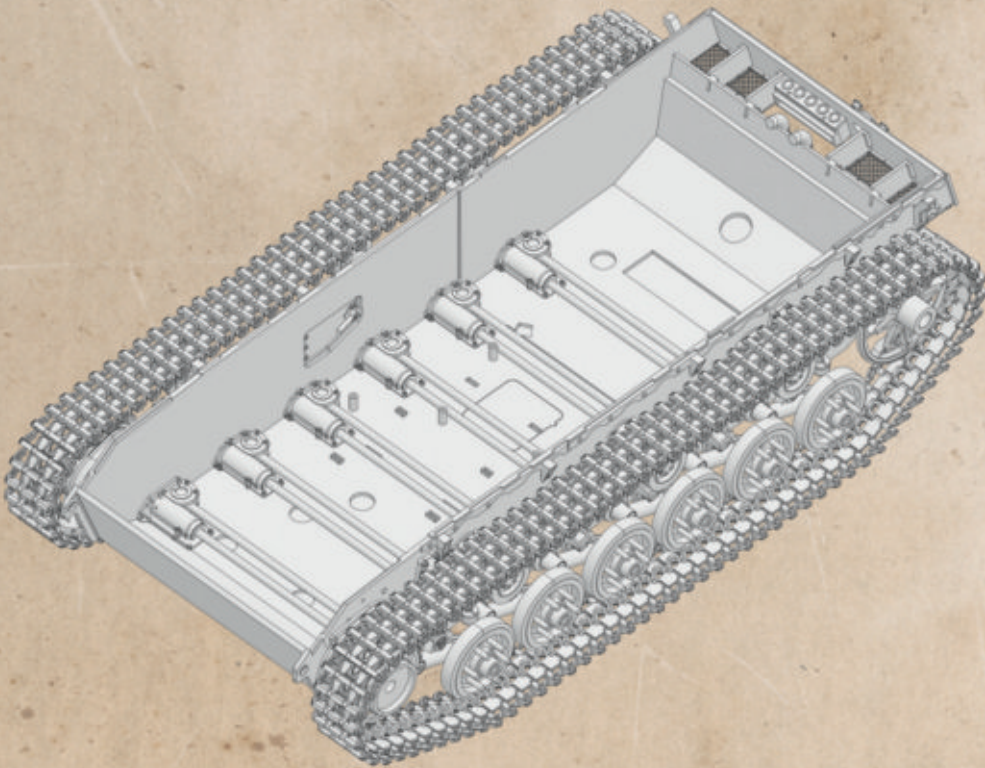
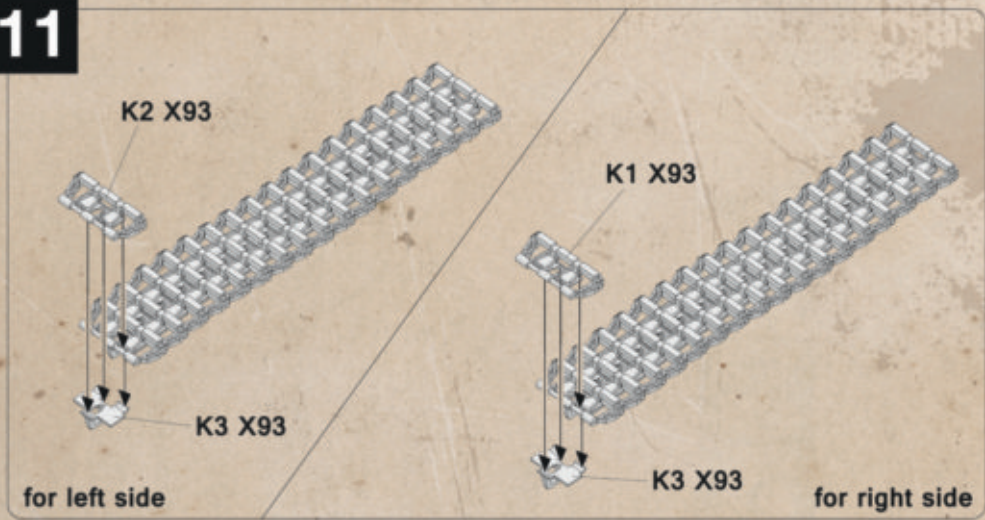


10-2

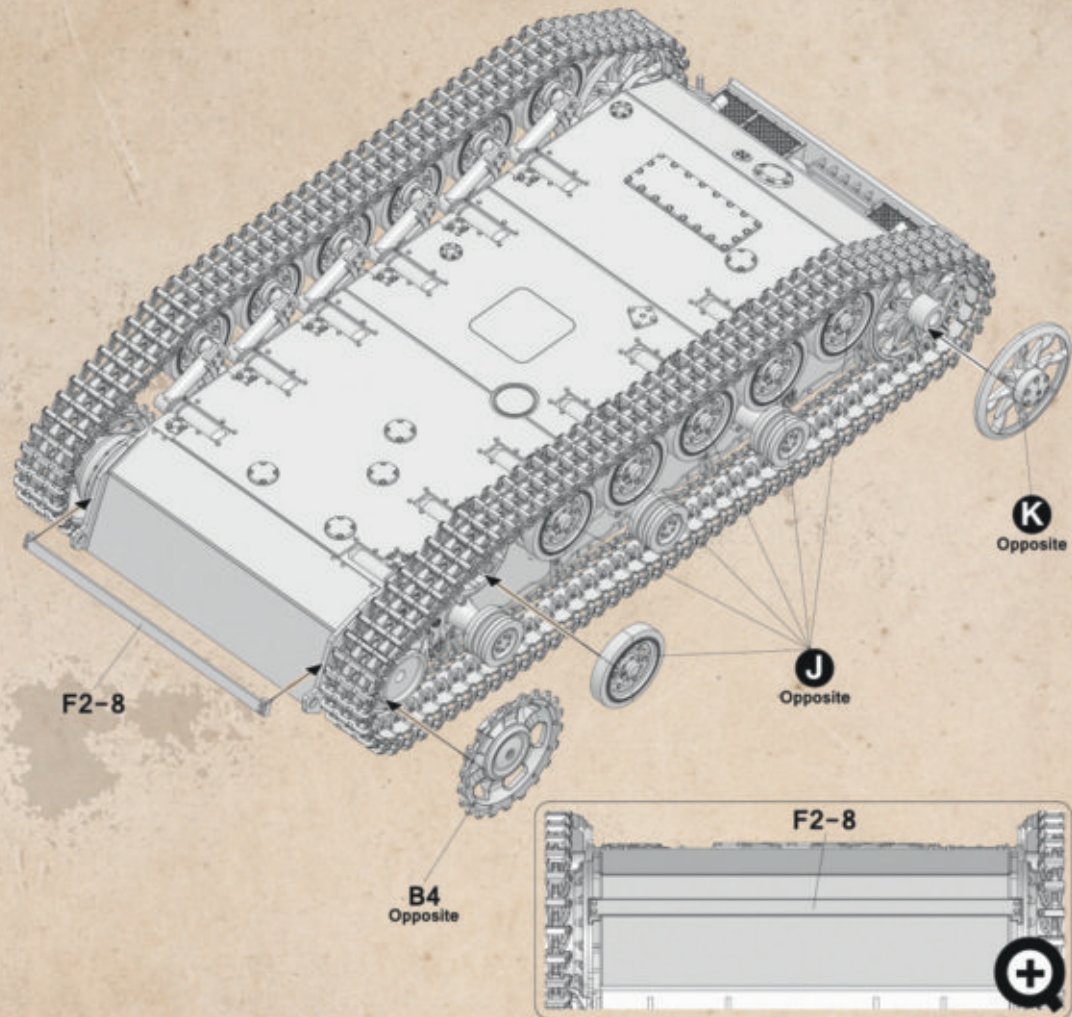
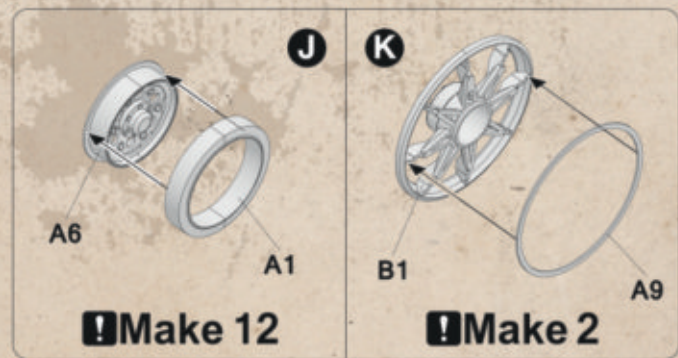
! B C

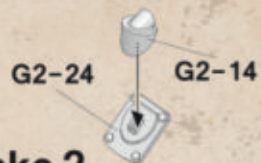
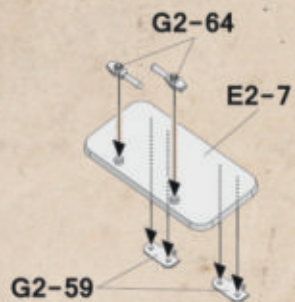
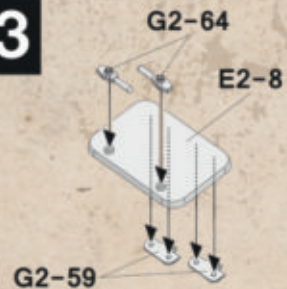
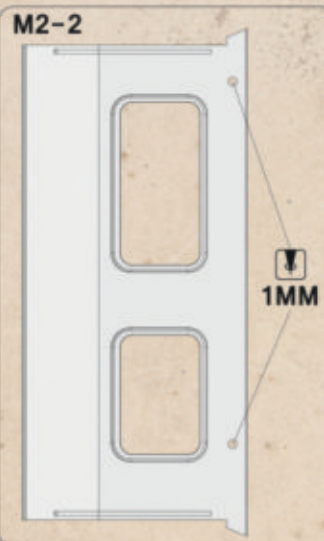
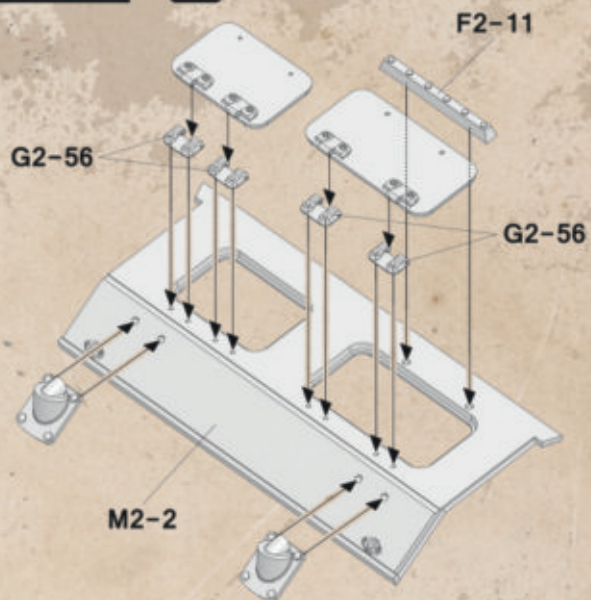
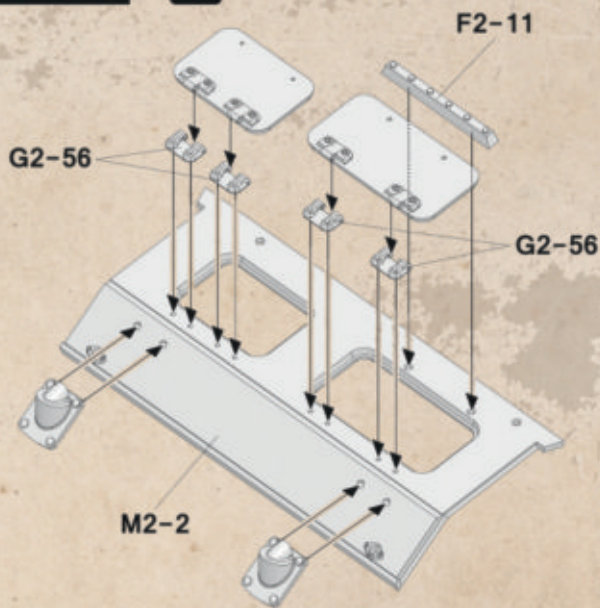
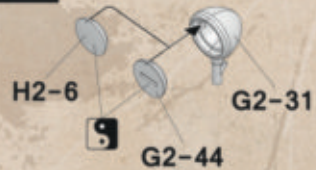
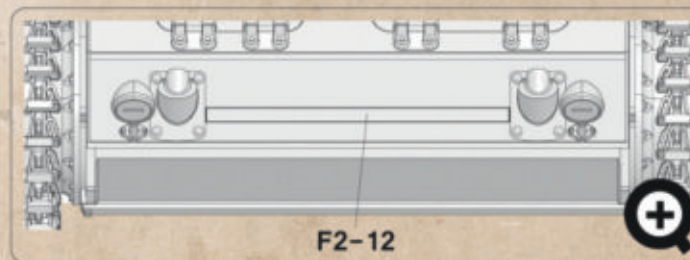
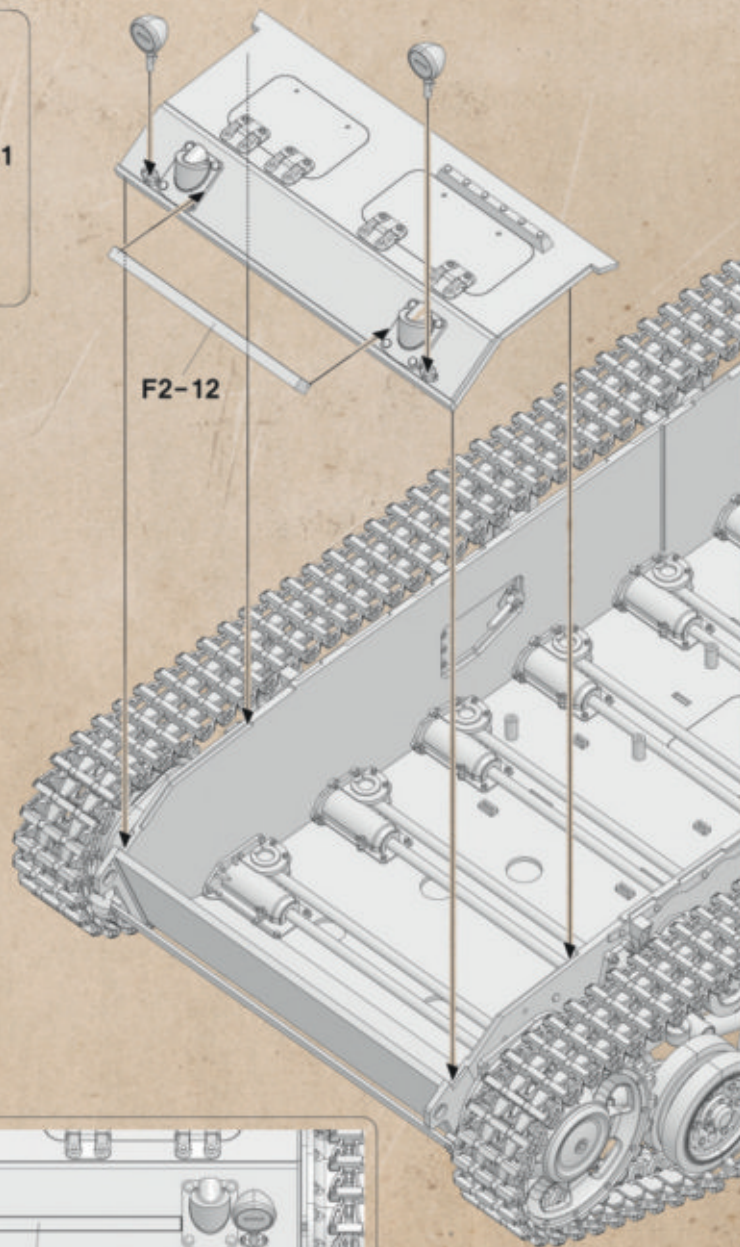


11

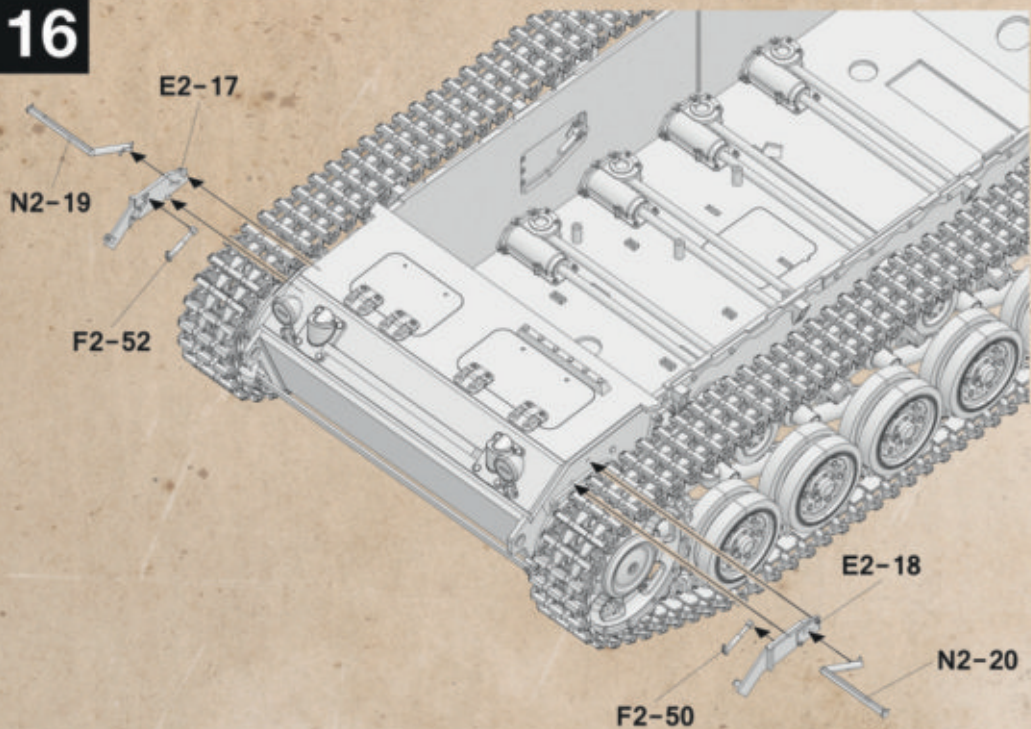


12

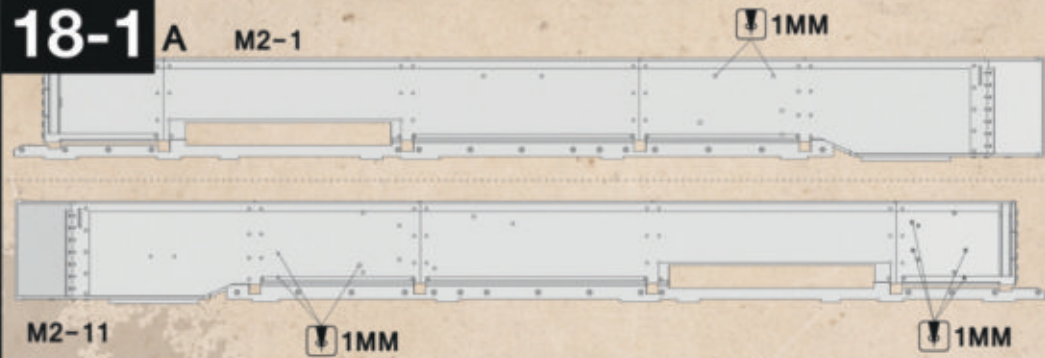


13**Make 2****14-1****! A B****14-3****! C****15****Make 2**

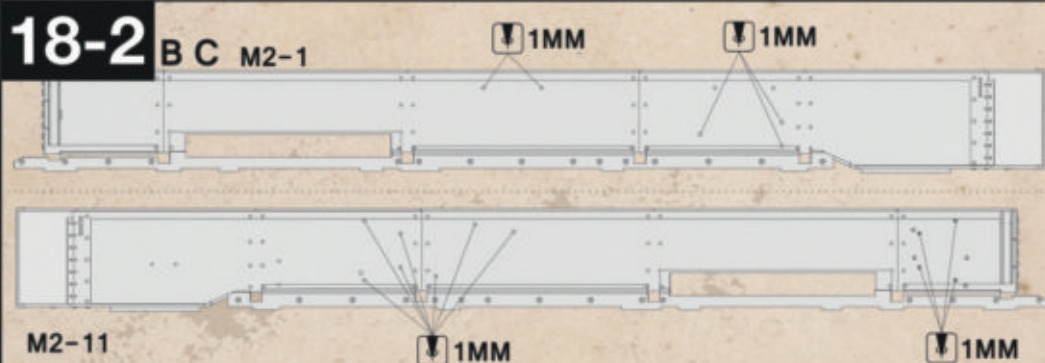
16



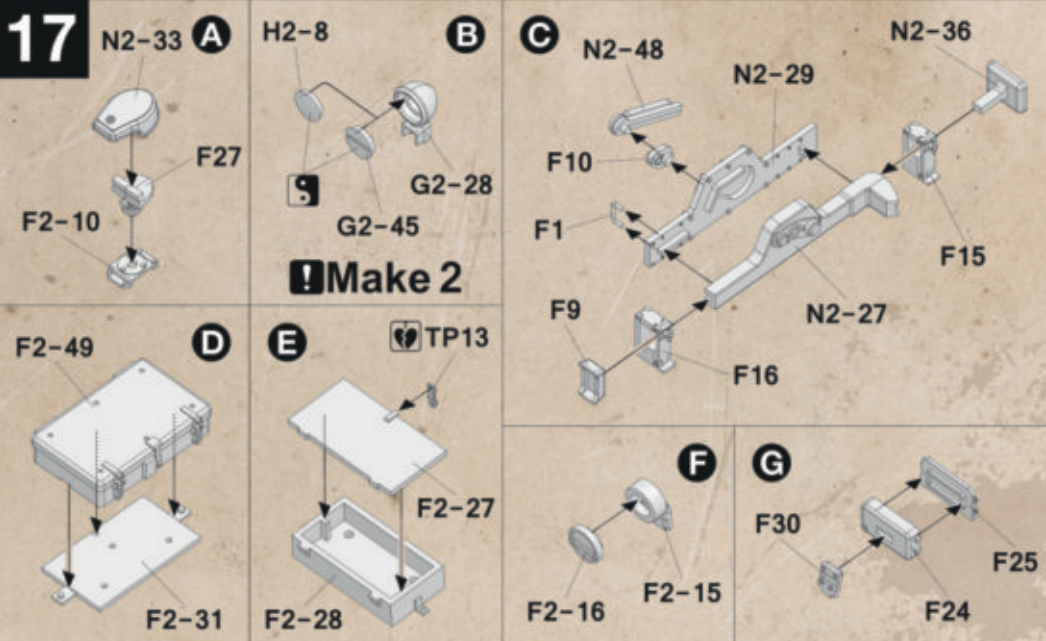
18-1



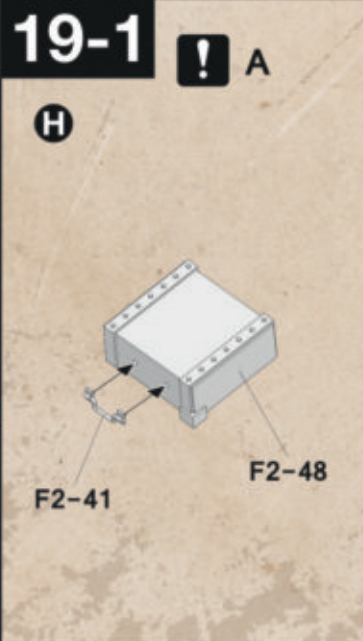
18-2



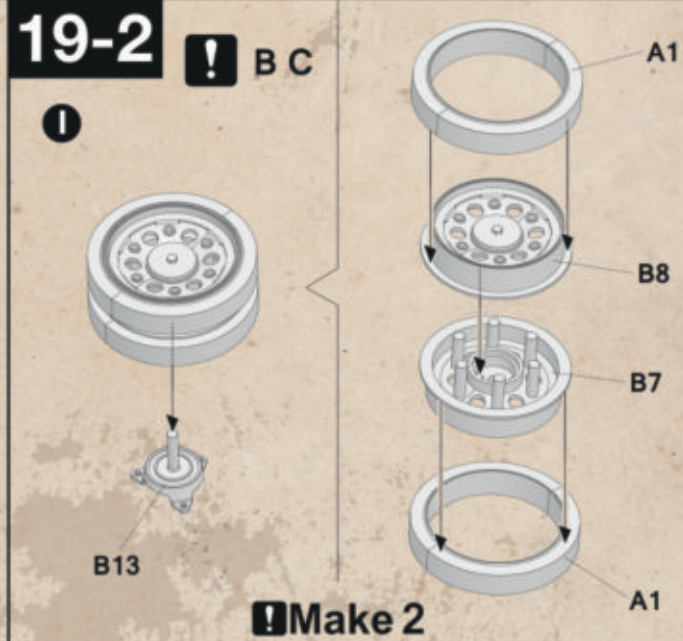
17



19-1

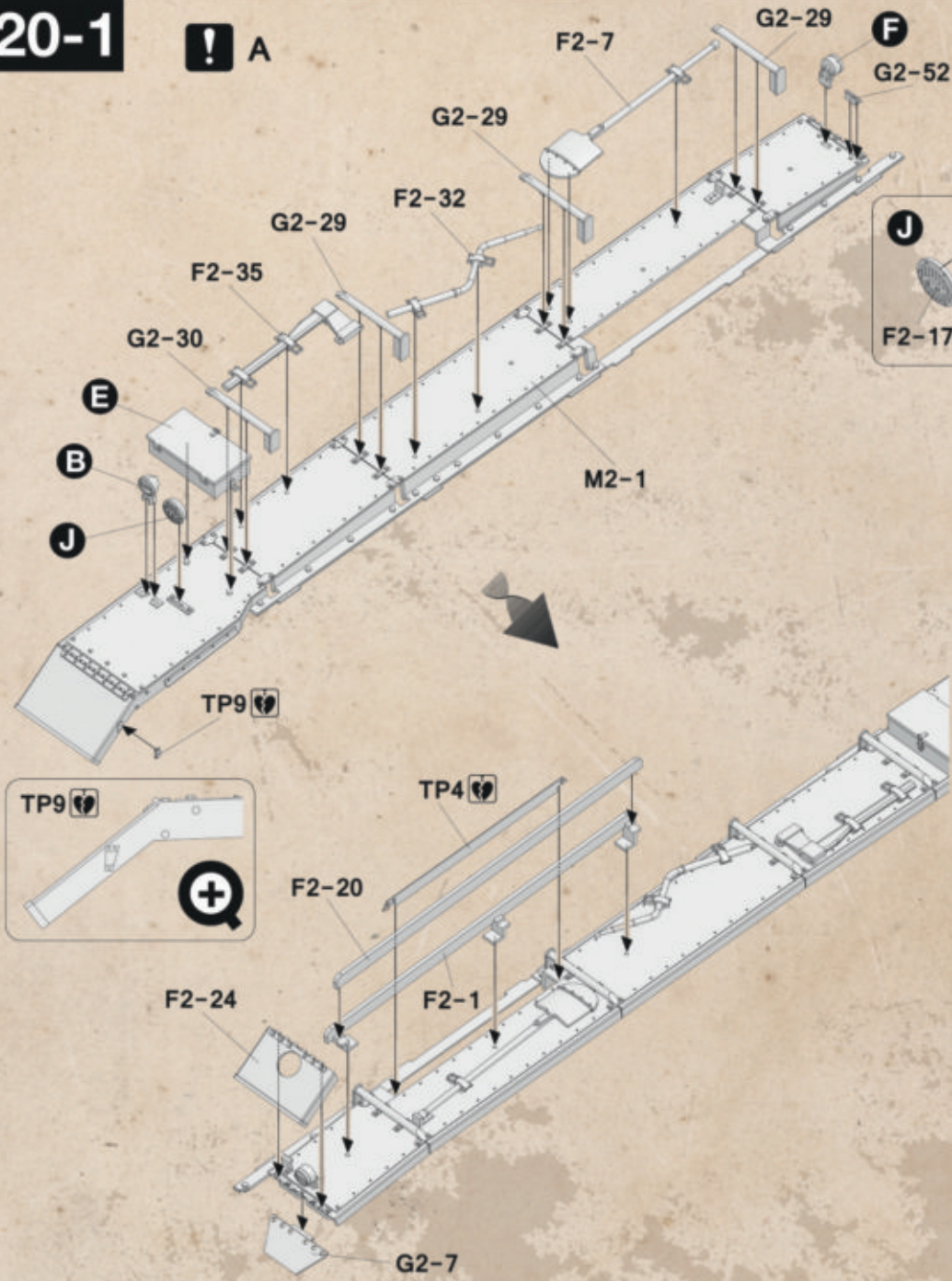


19-2



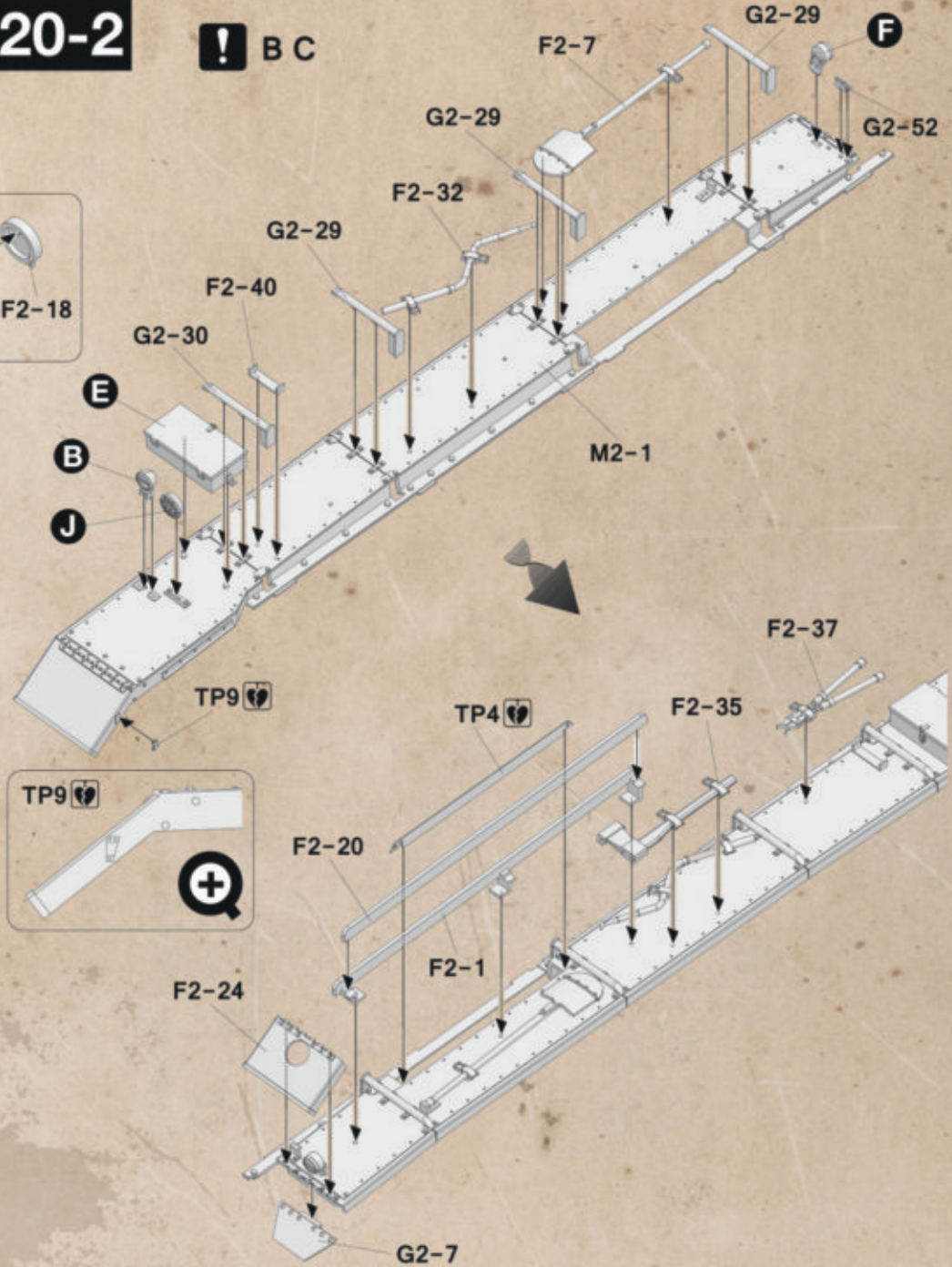
20-1

! A



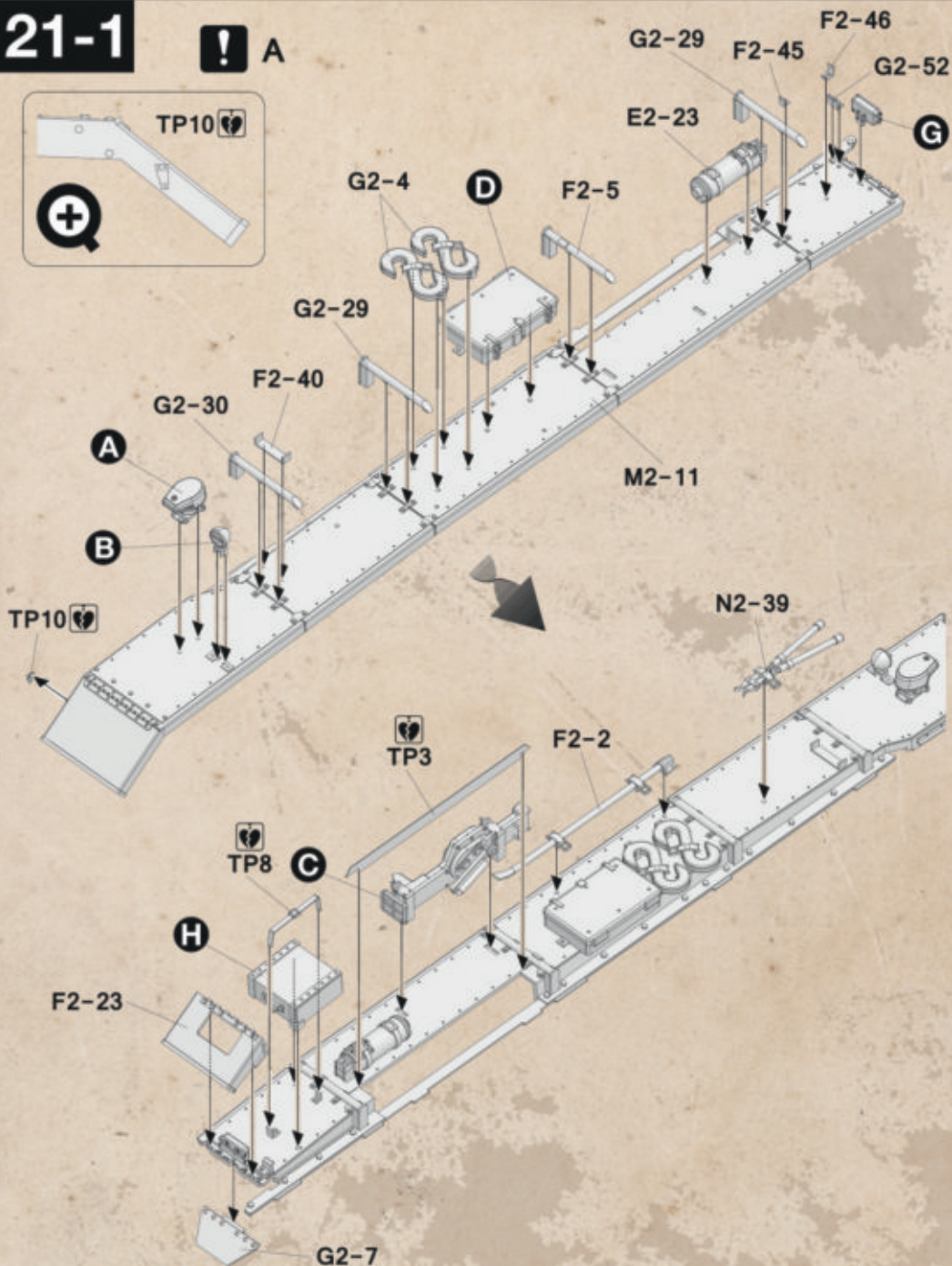
20-2

! B C



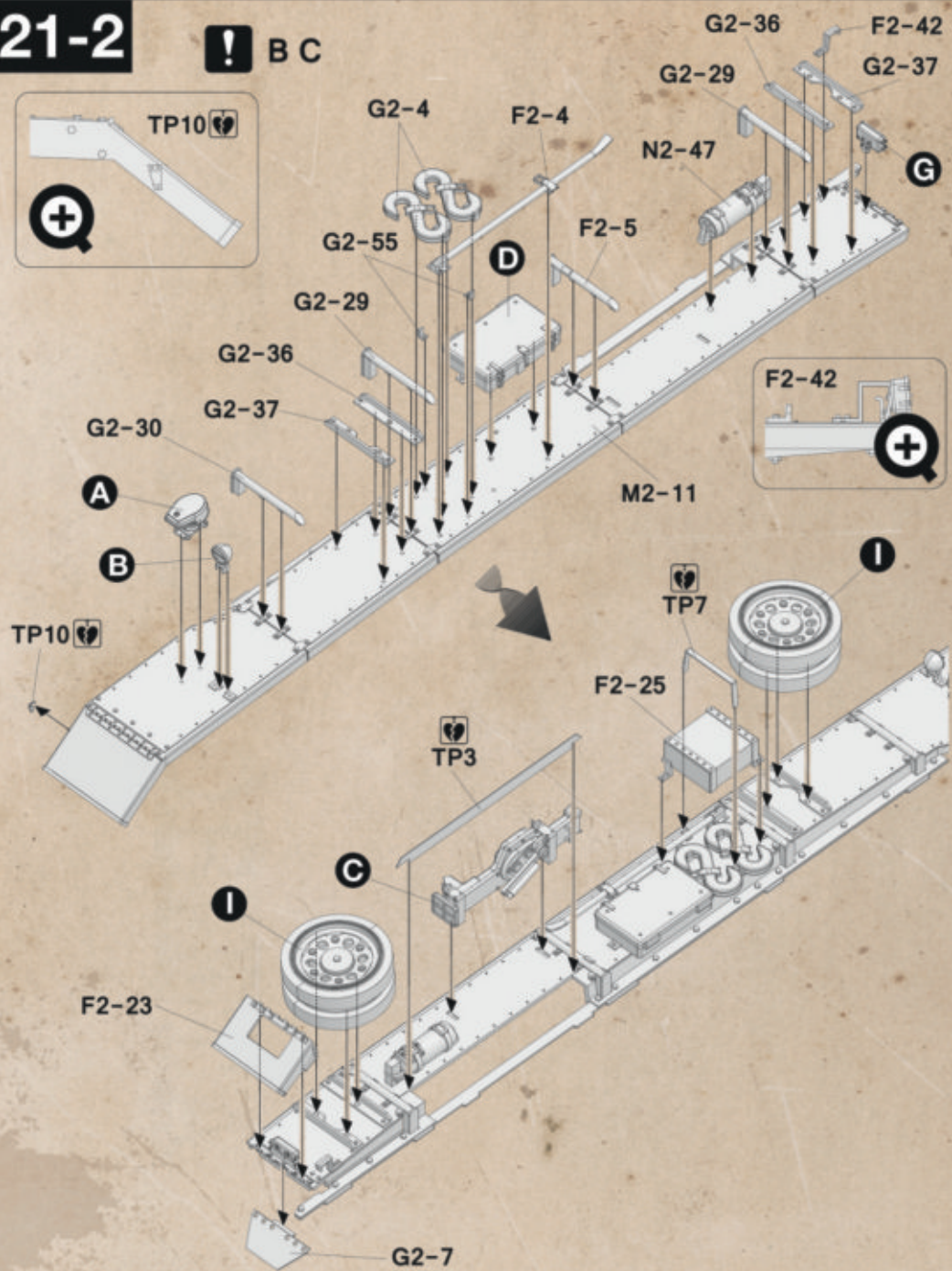
21-1

! A

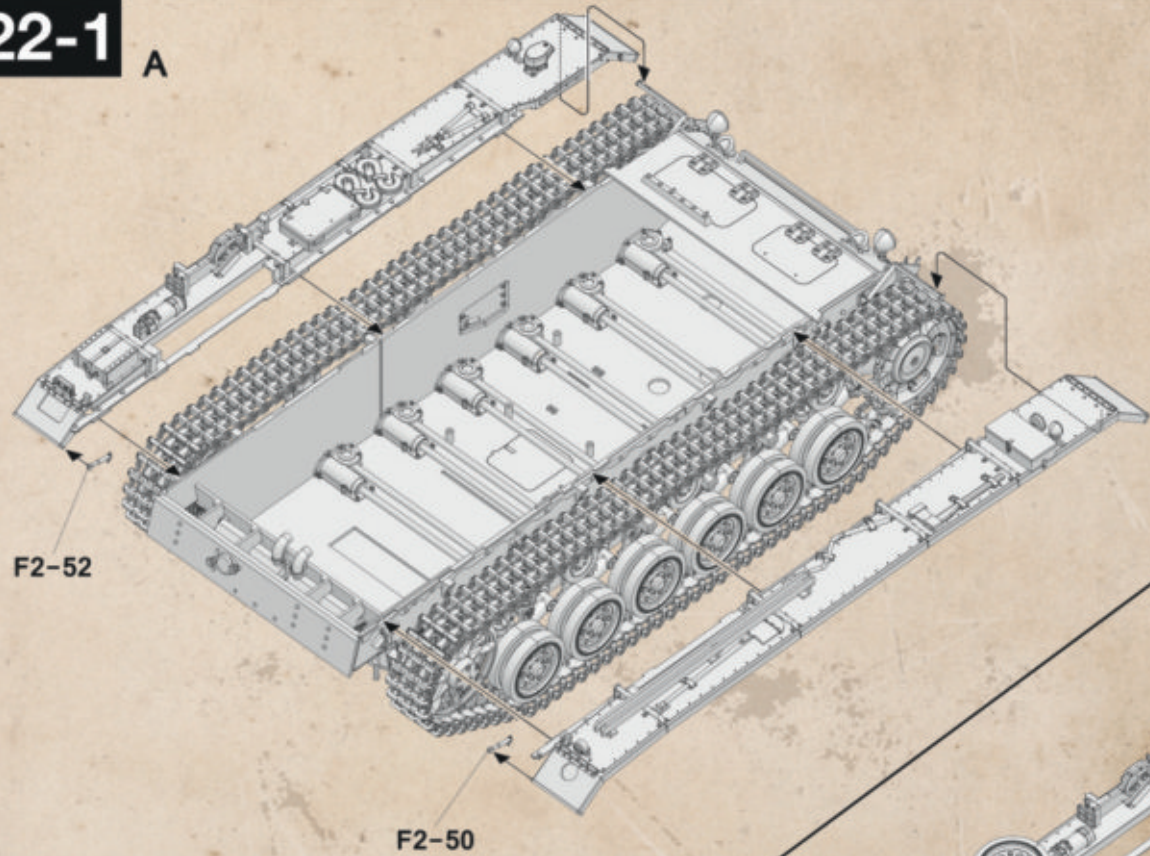


21-2

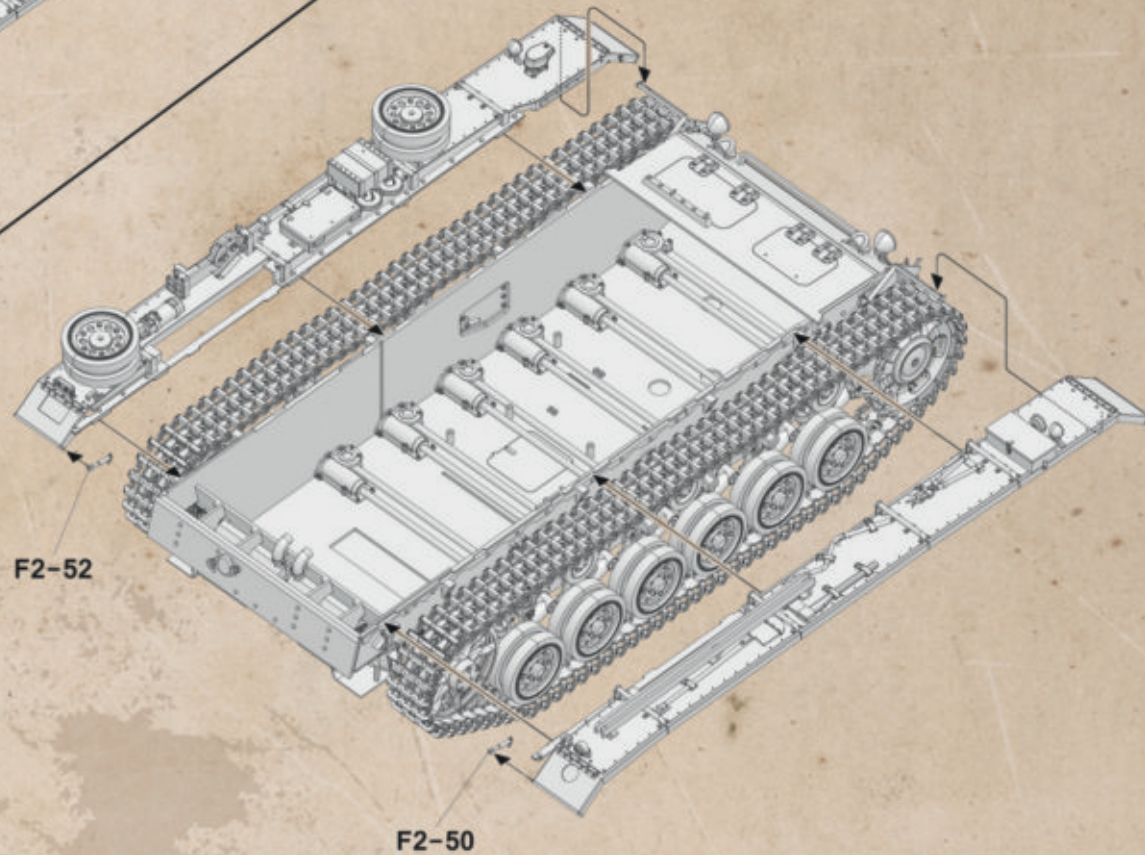
! B C



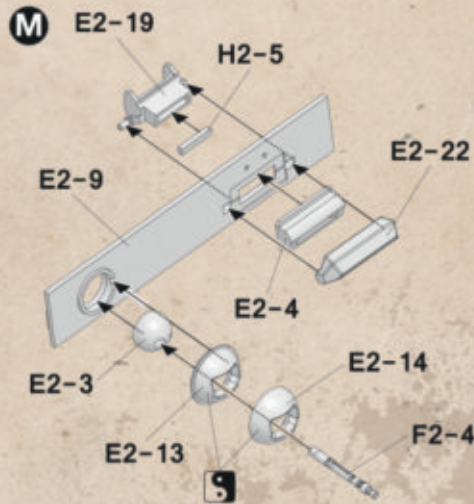
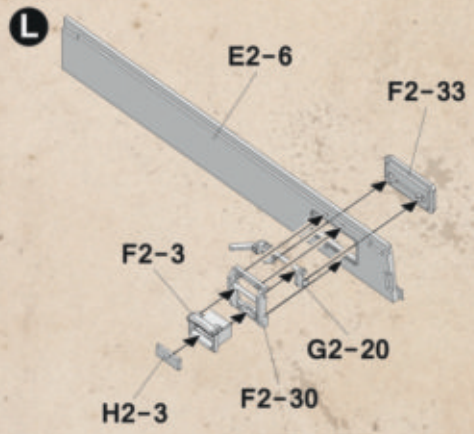
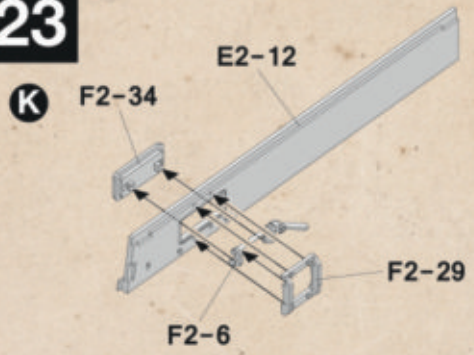
22-1 A



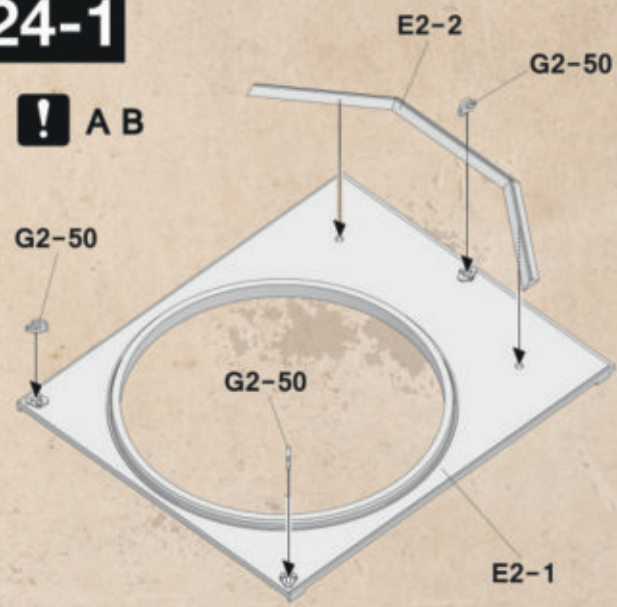
22-2 B C



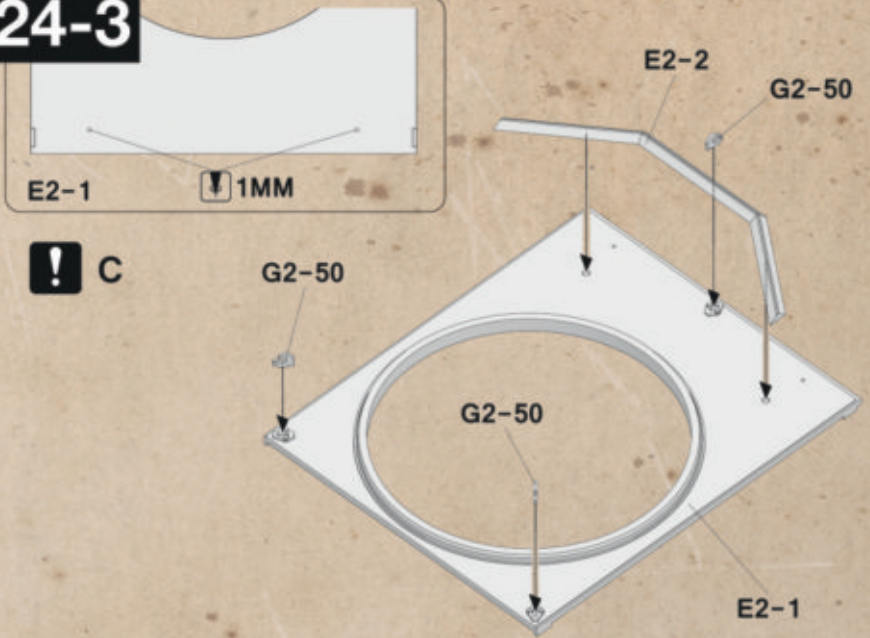
23



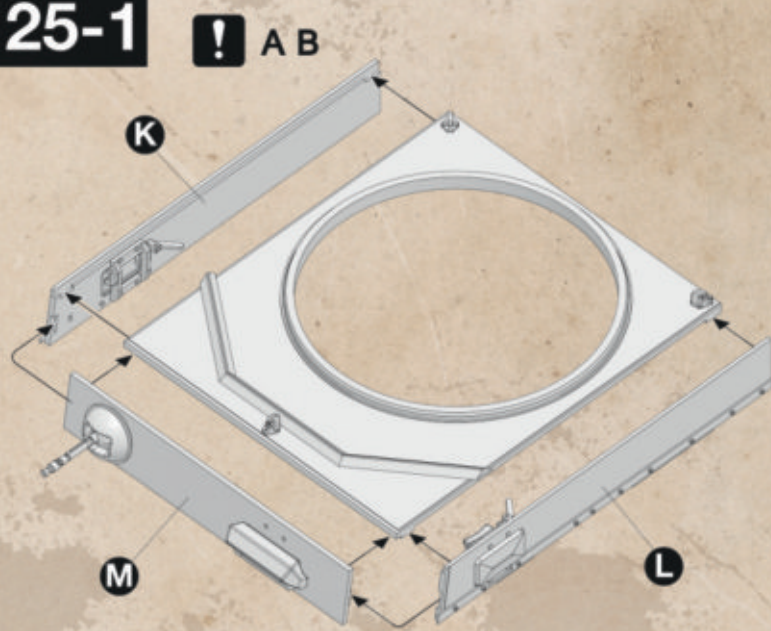
24-1



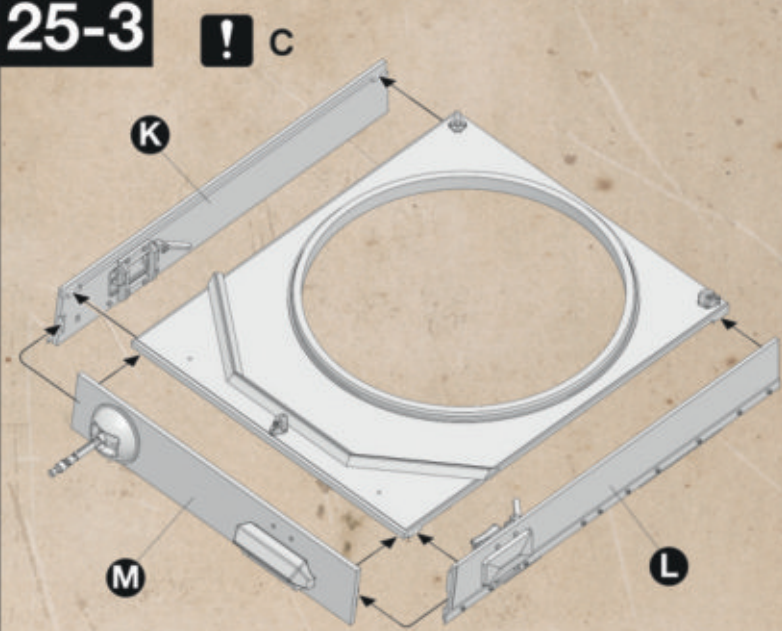
24-3



25-1

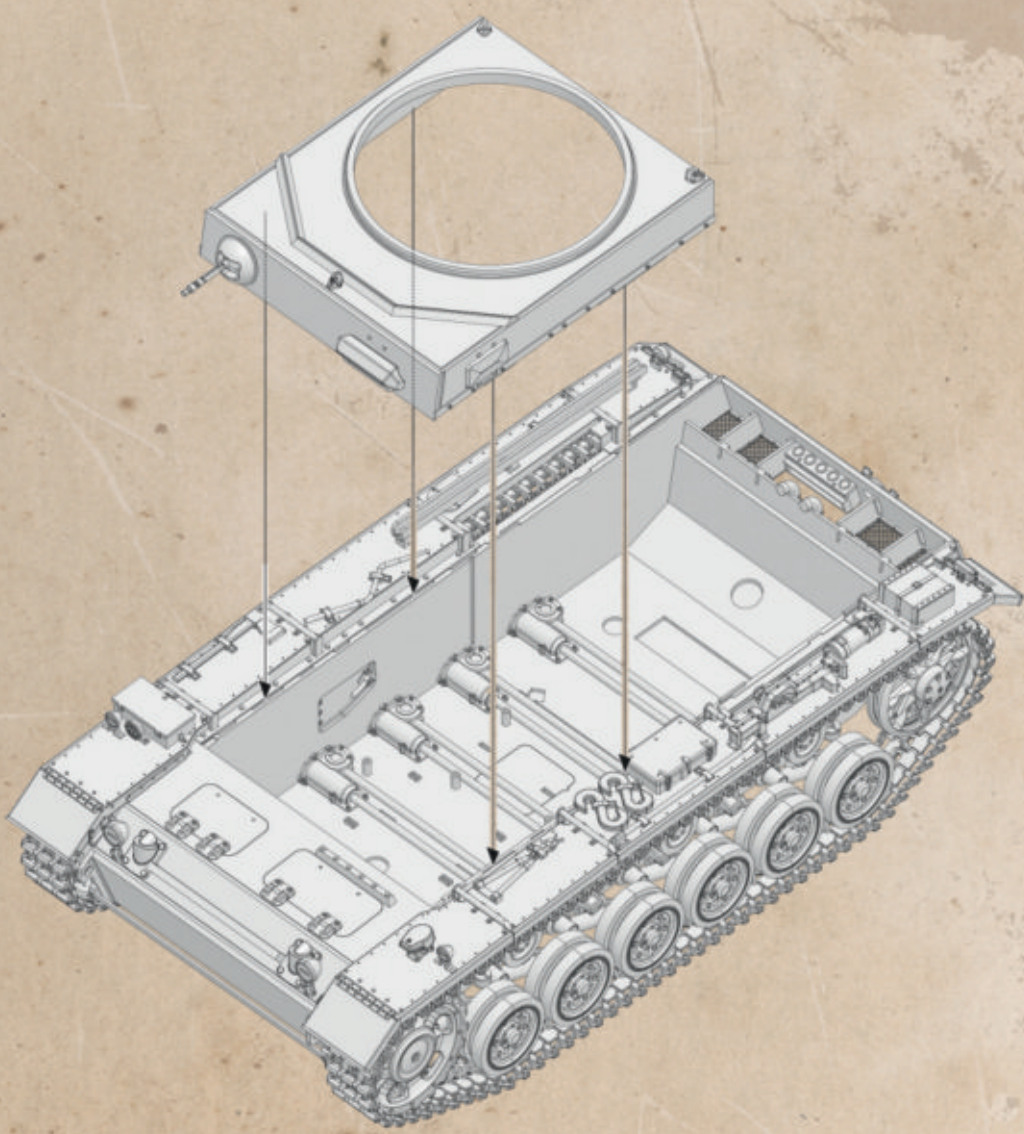


25-3



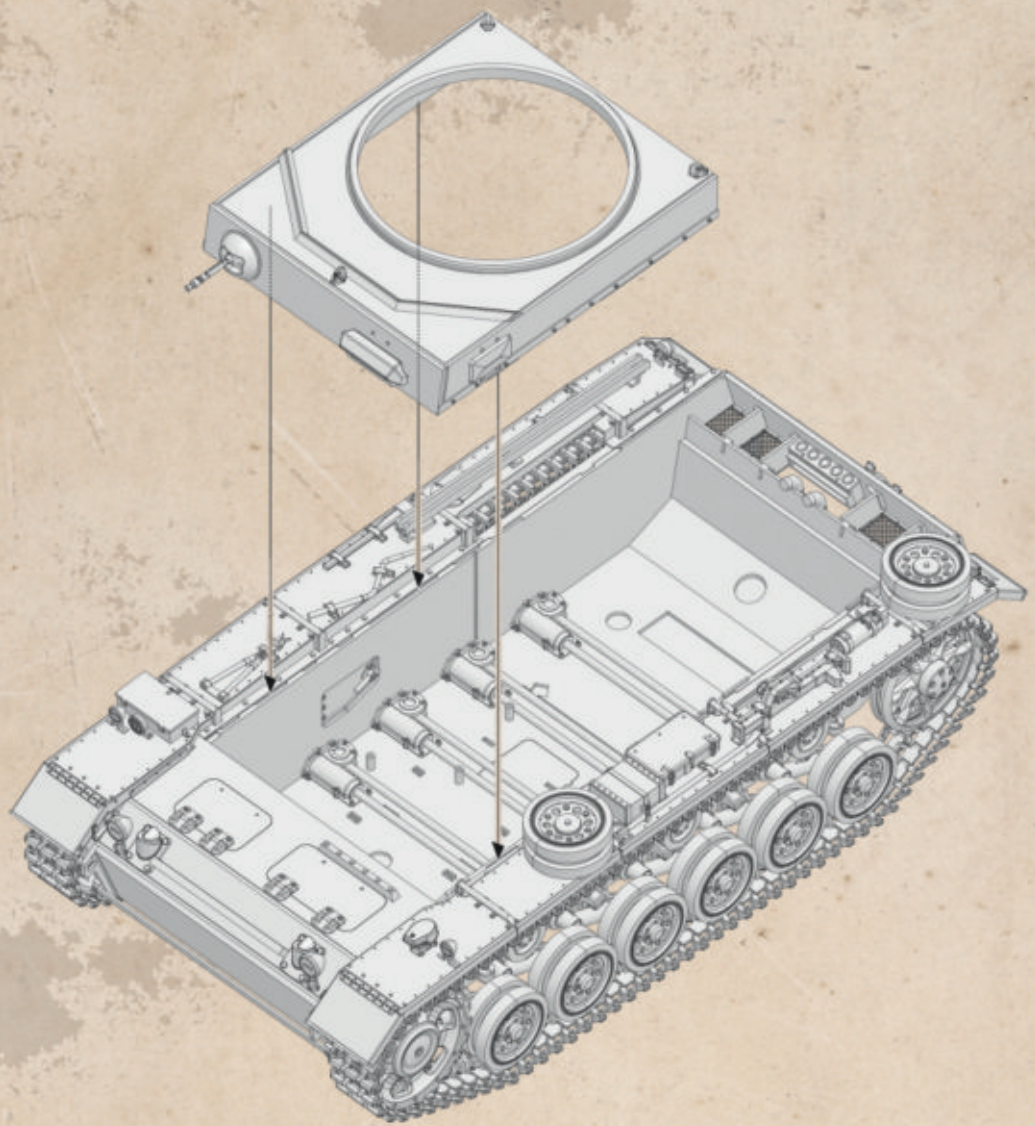
26-1

! A



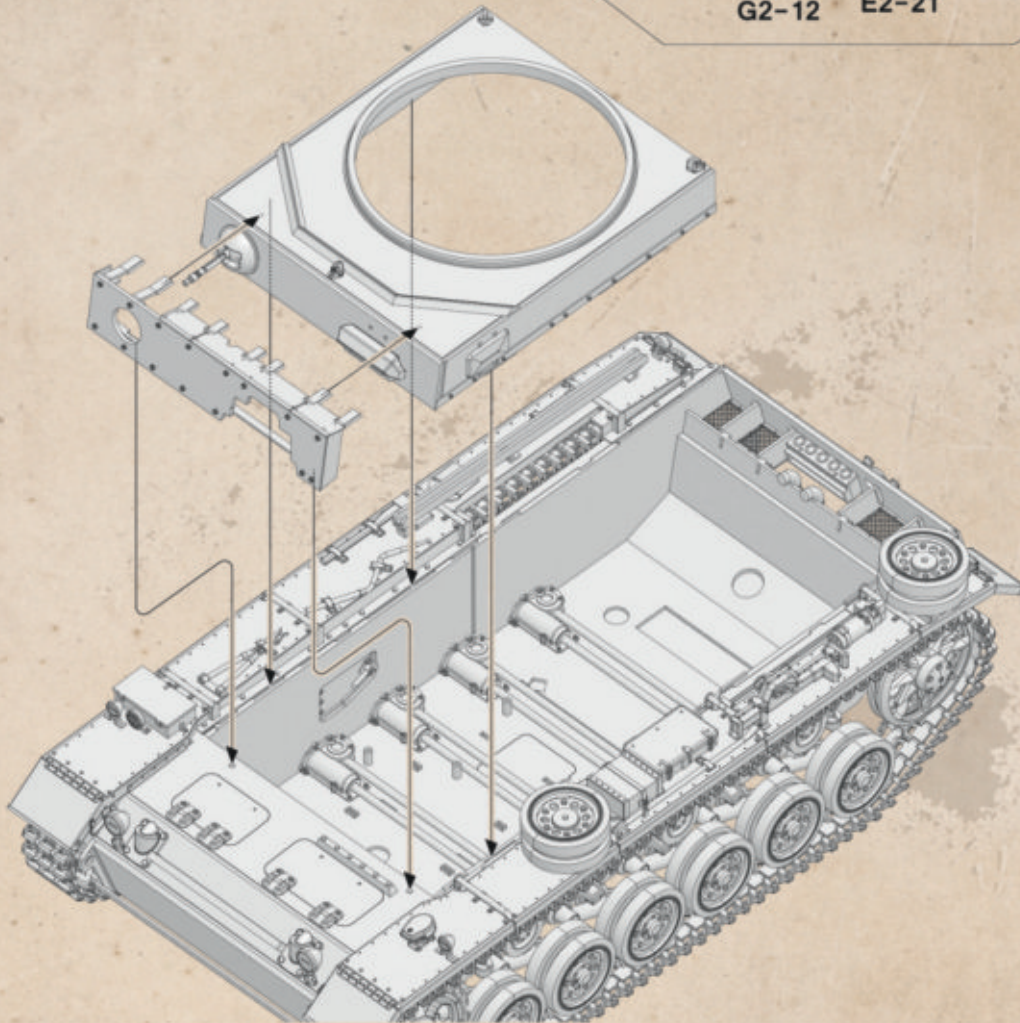
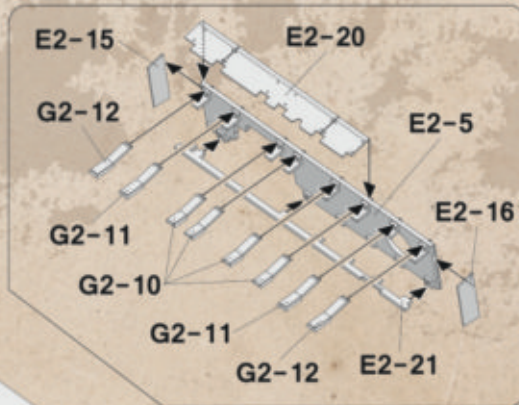
26-2

! B

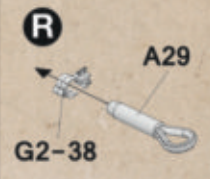
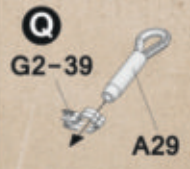
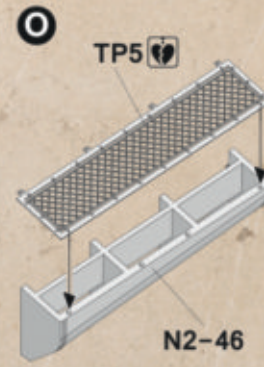
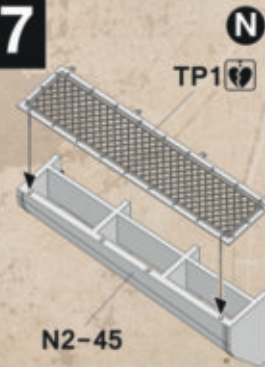


26-3

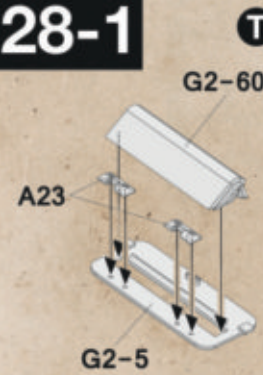
! C



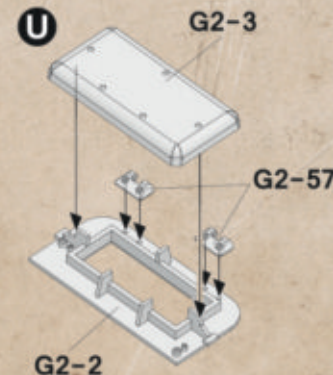
27



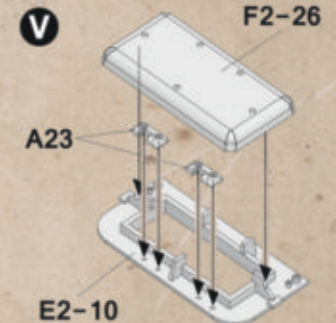
28-1



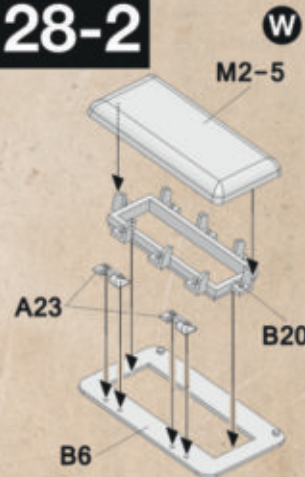
! Make 2



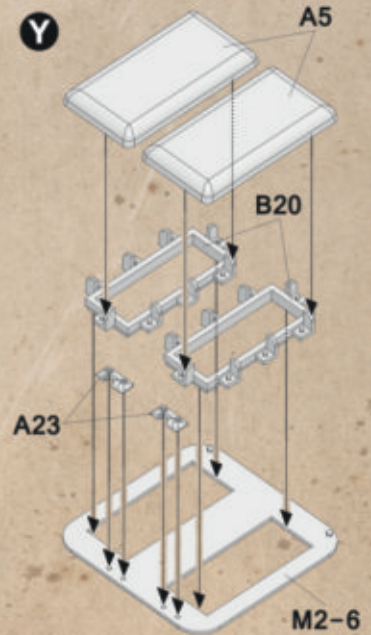
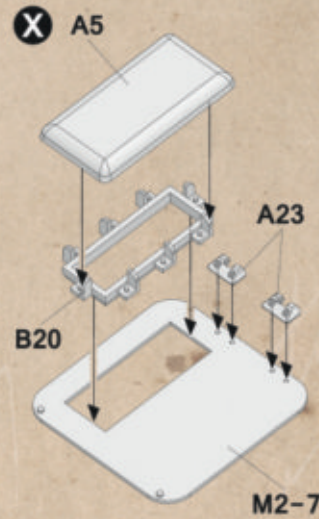
! Make 2



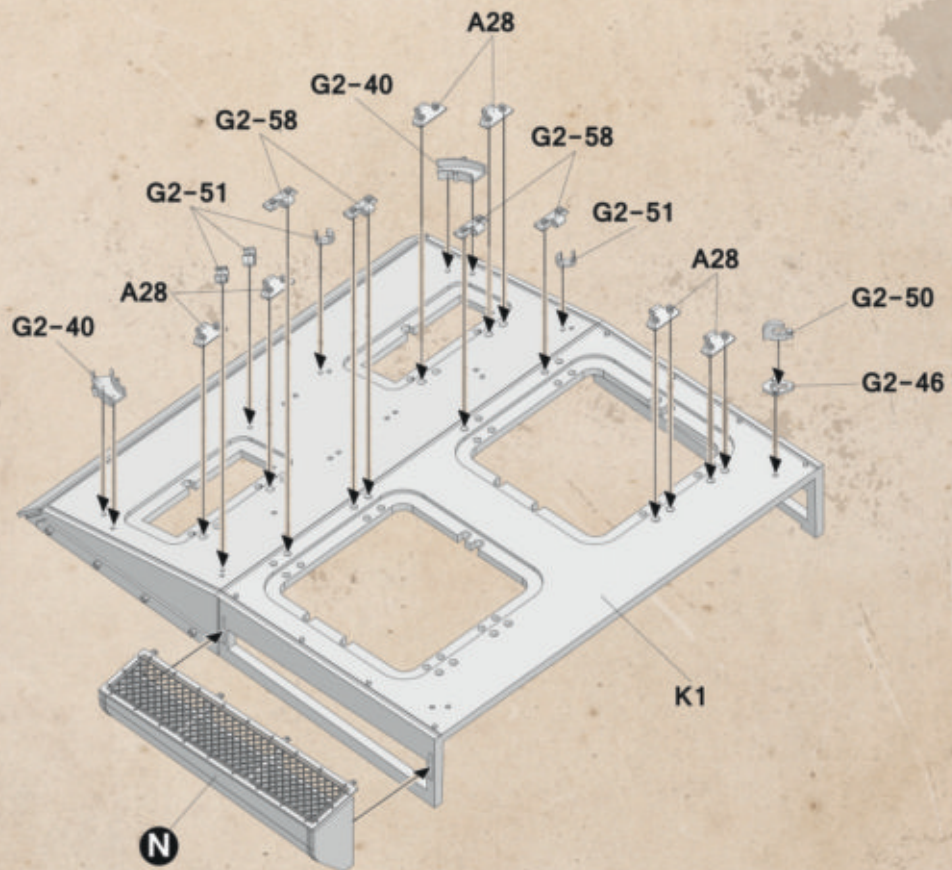
28-2



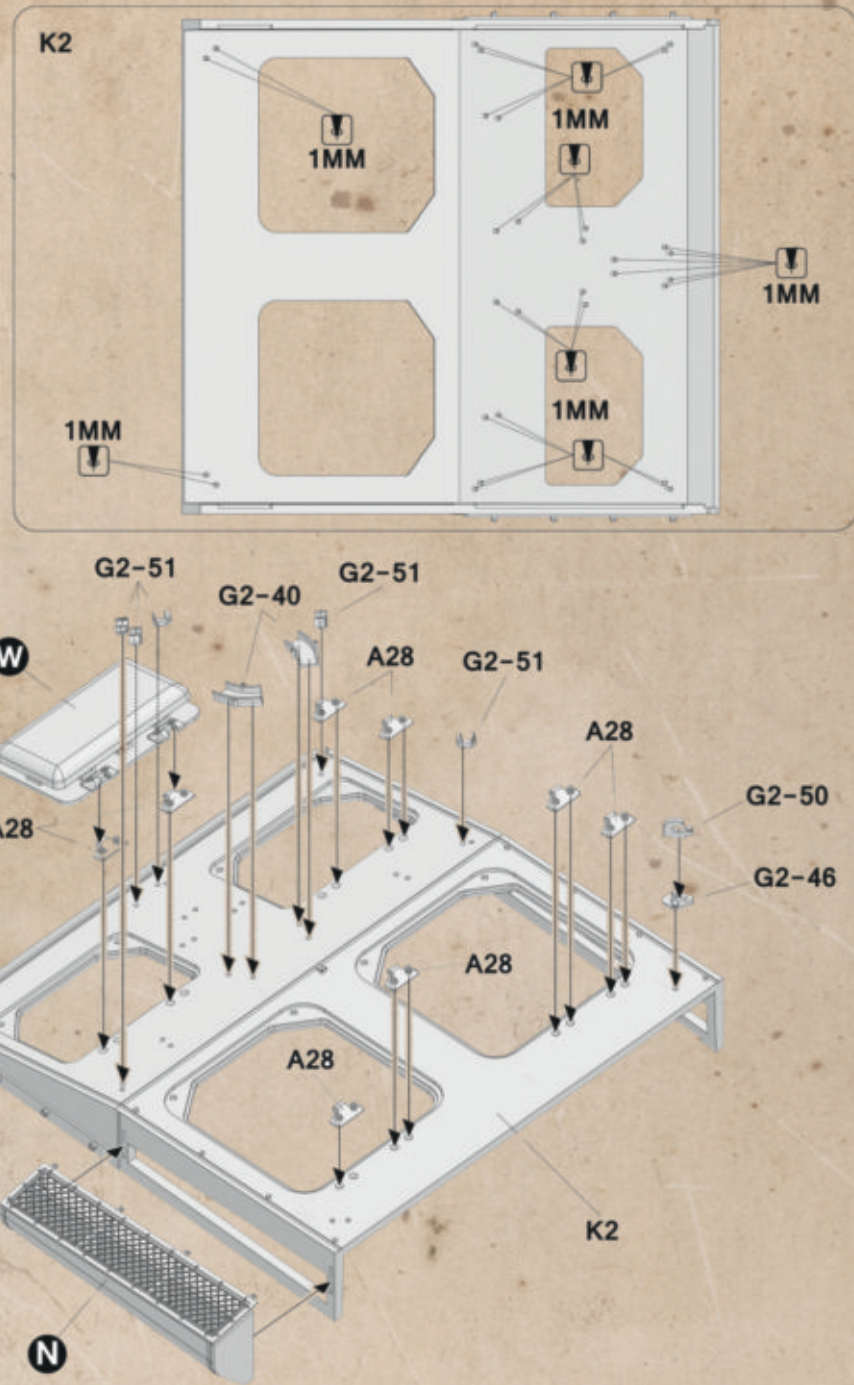
! Make 2



29-1

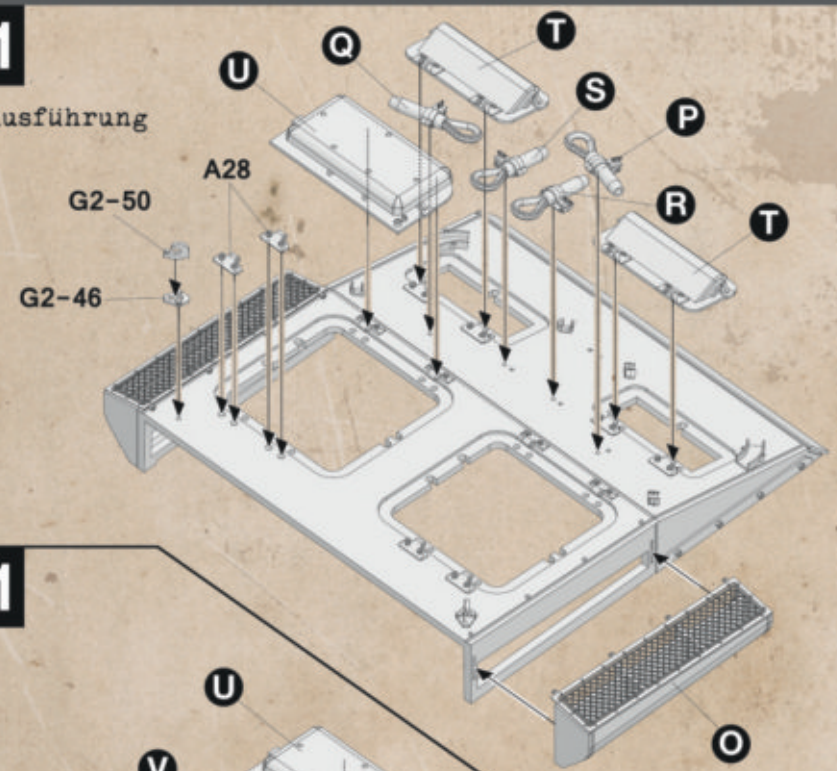


29-2

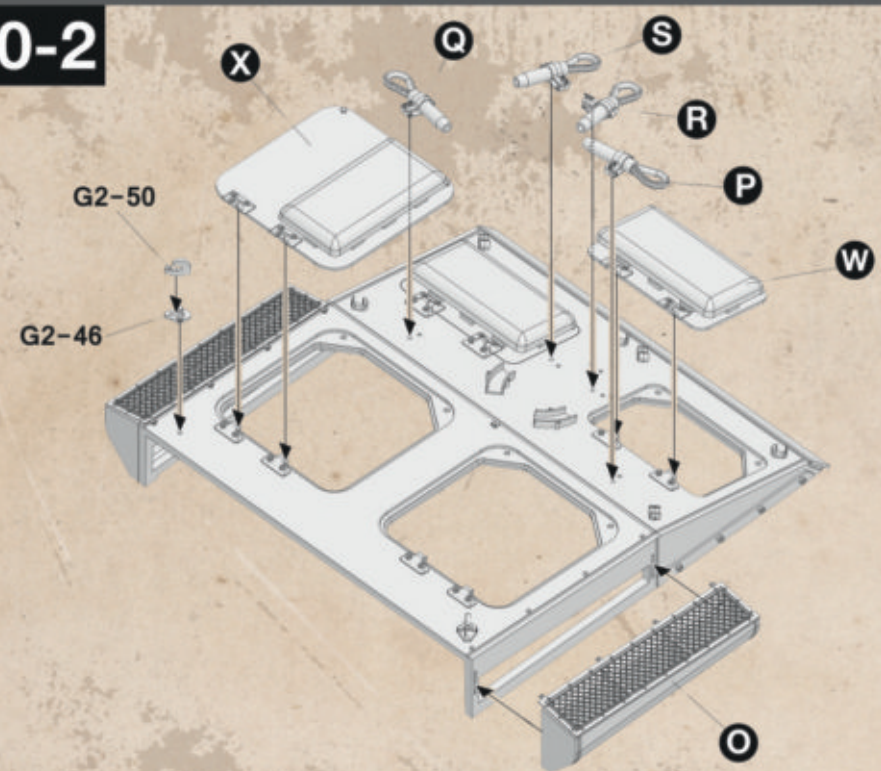


30-1

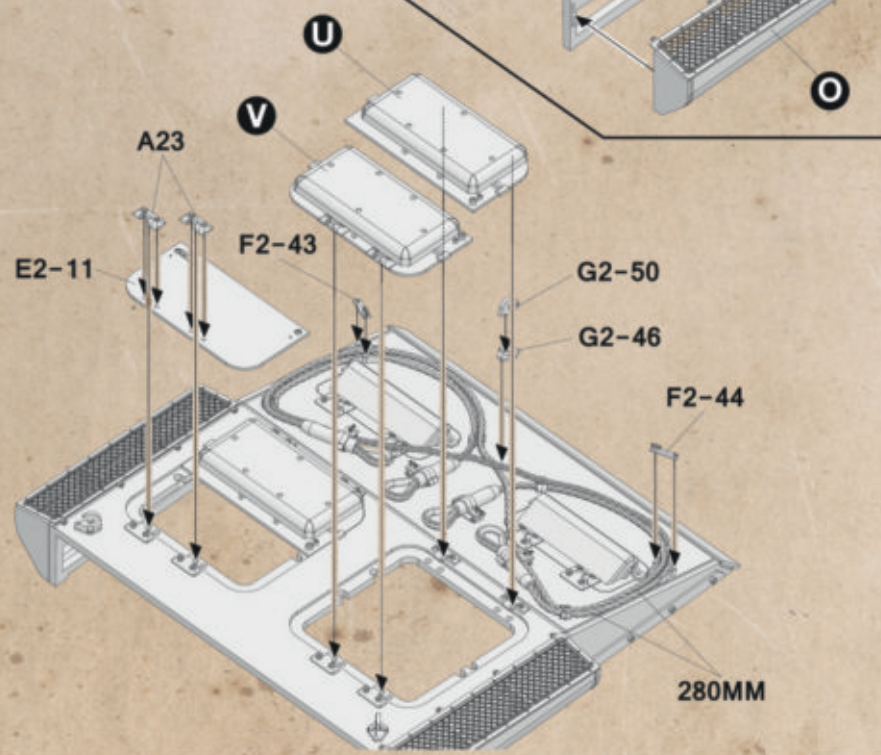
Tropenausführung



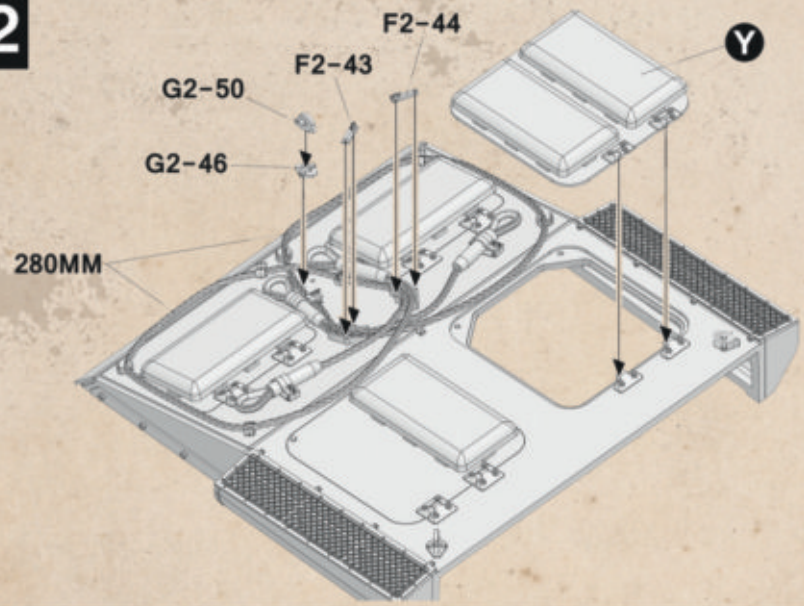
30-2



31-1

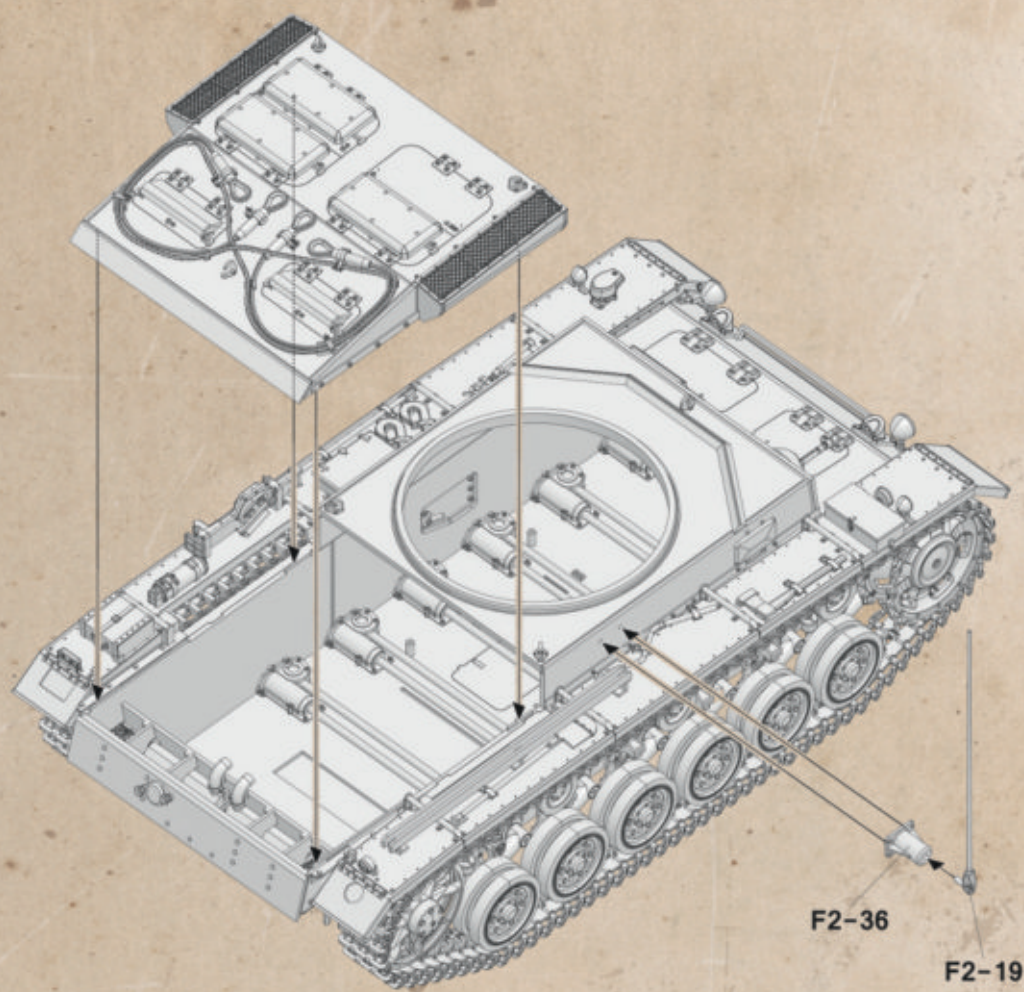


31-2



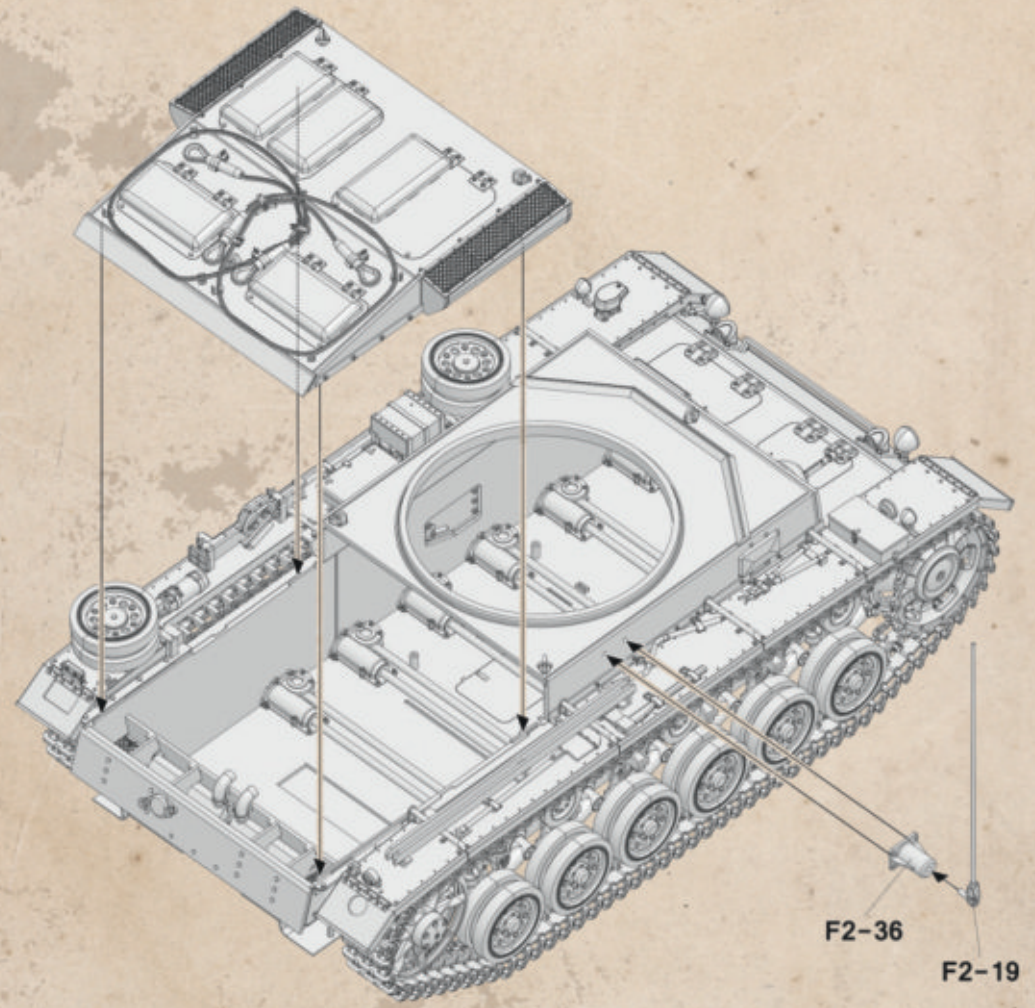
32-1

! A

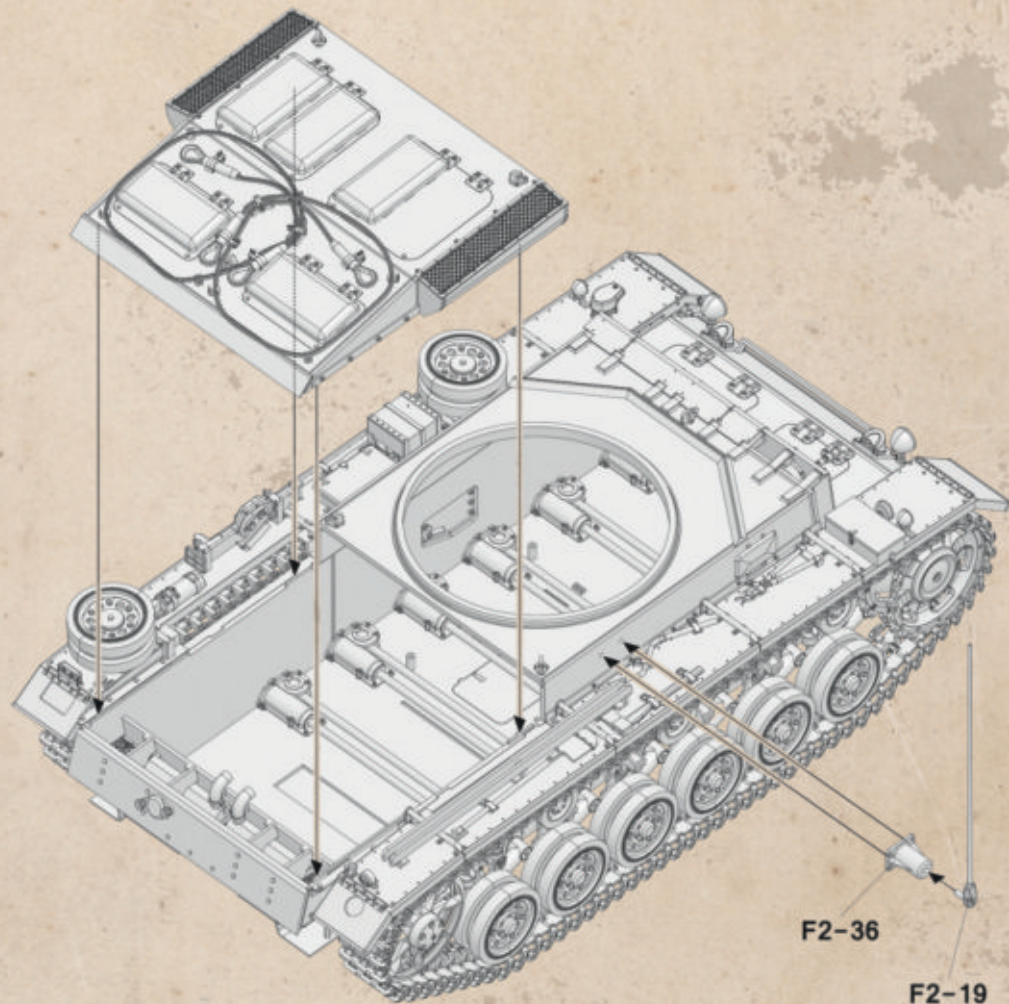


32-2

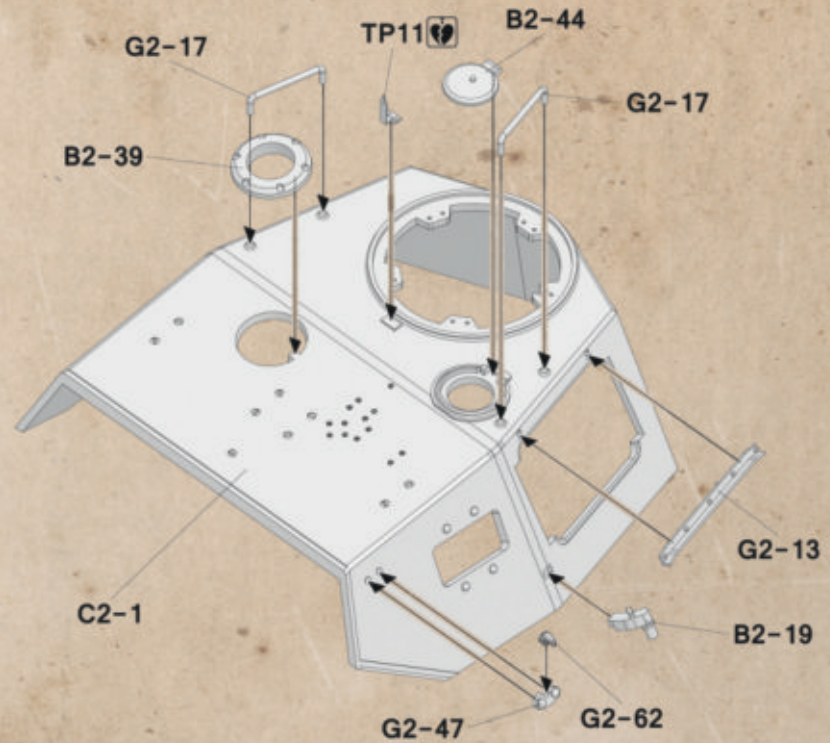
! B



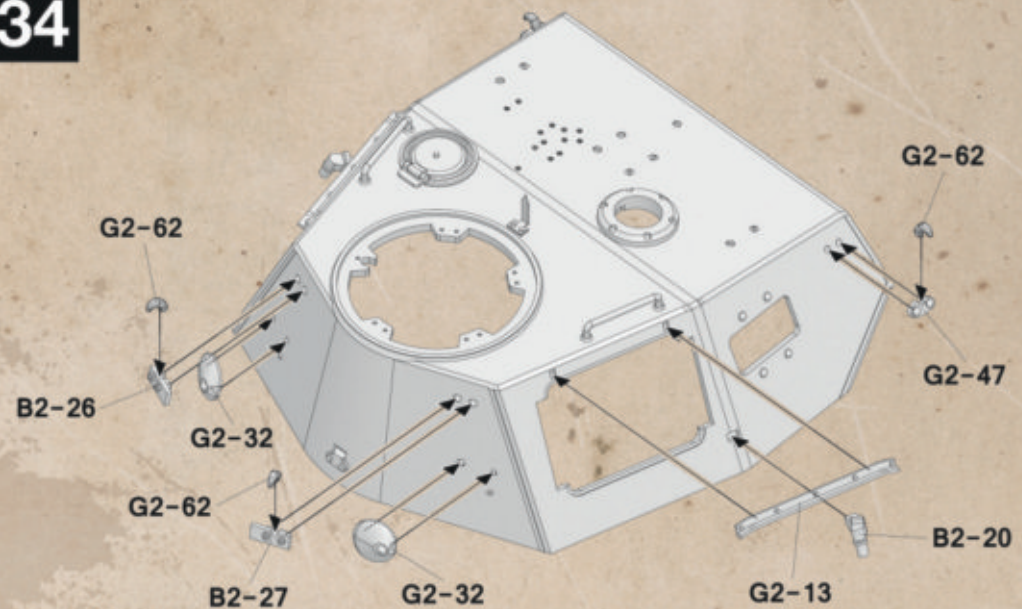
32-3 ! c



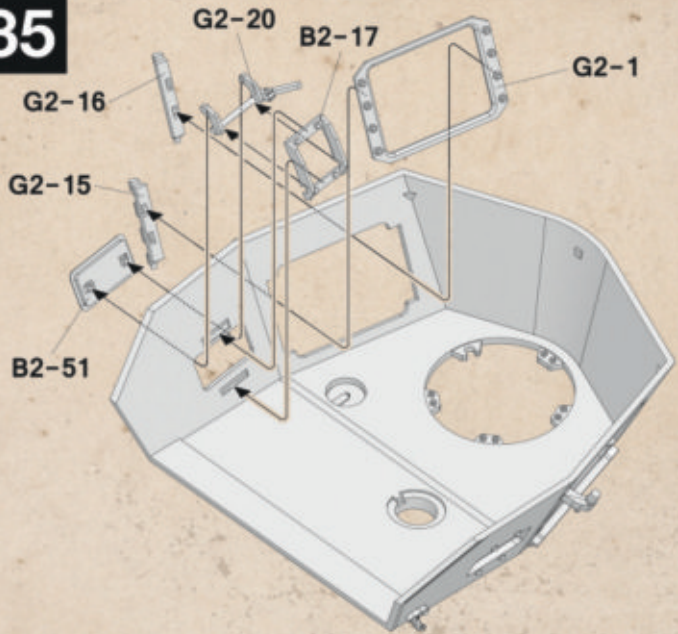
33



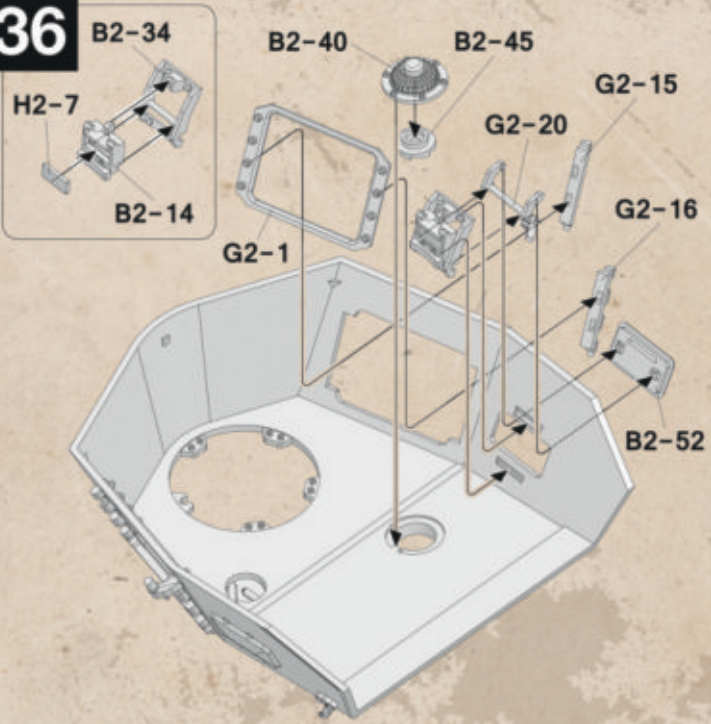
34



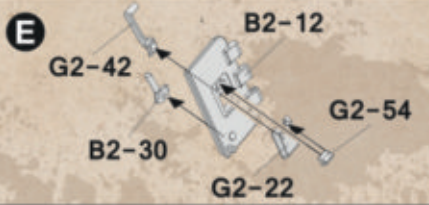
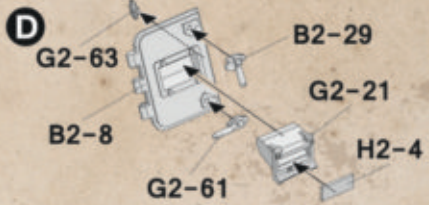
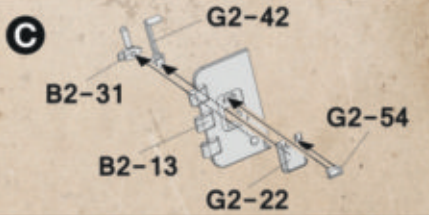
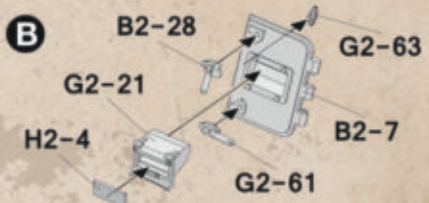
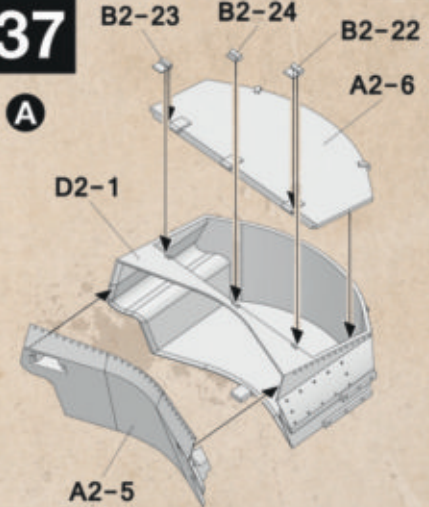
35



36

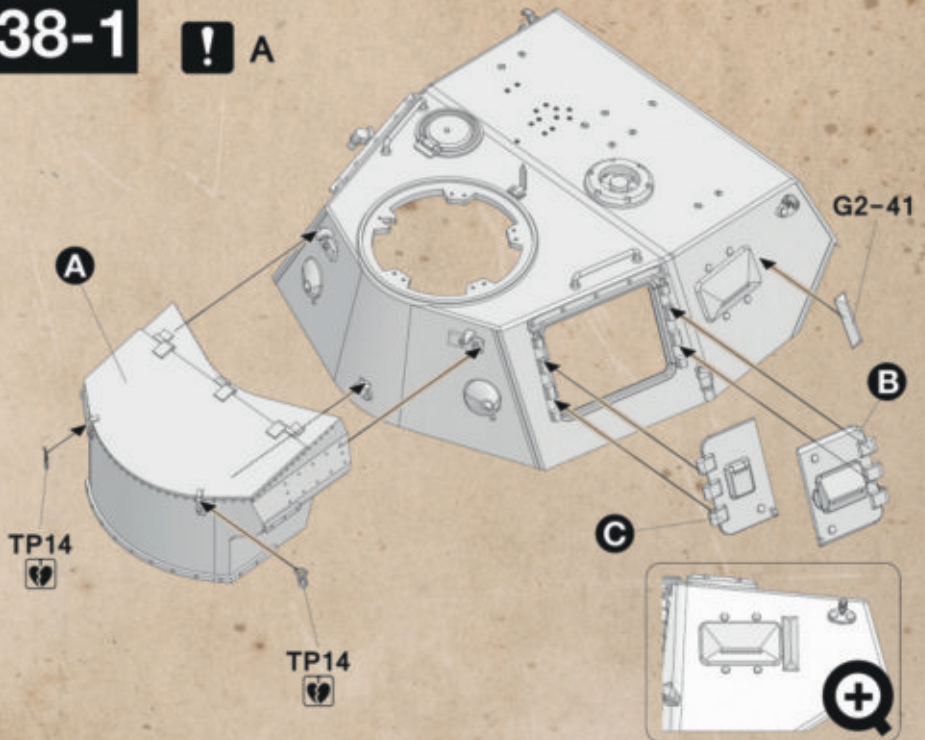


37



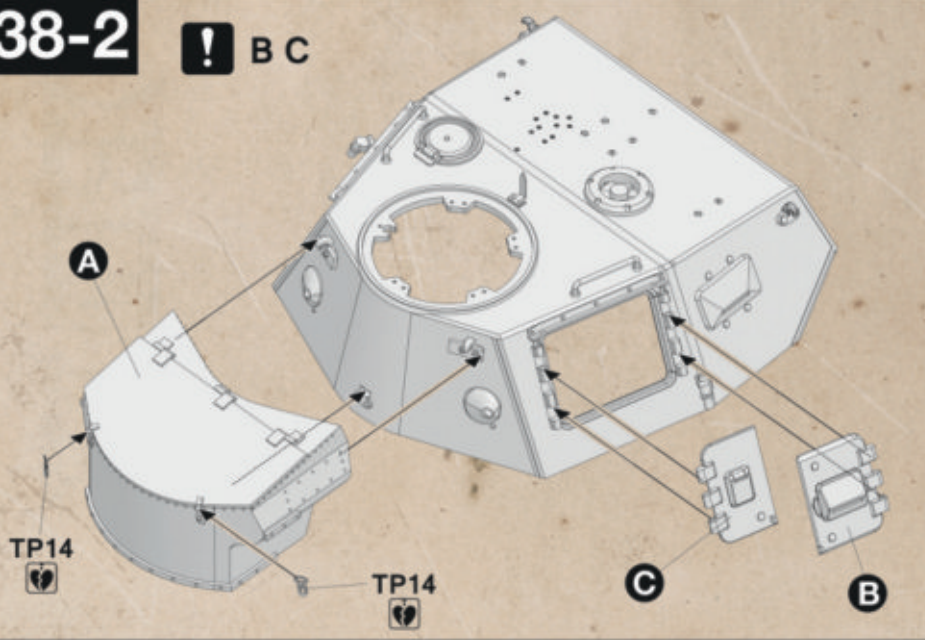
38-1

! A

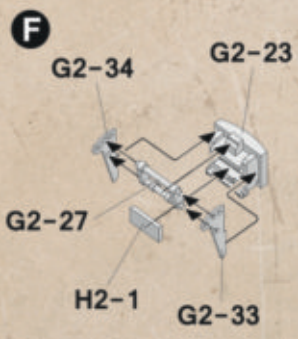
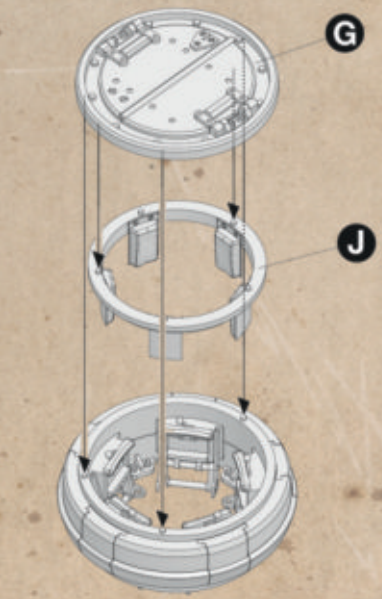
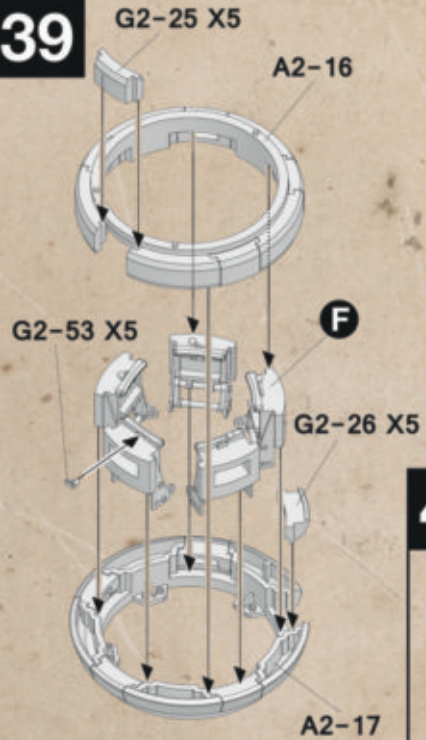


38-2

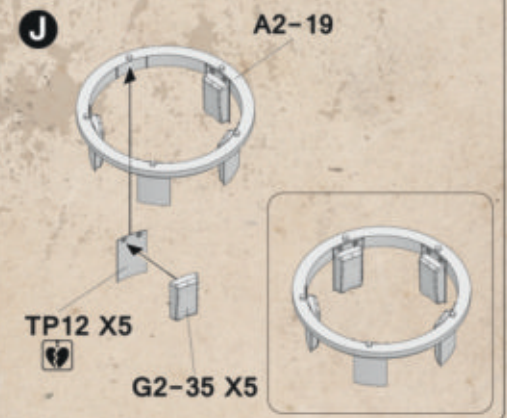
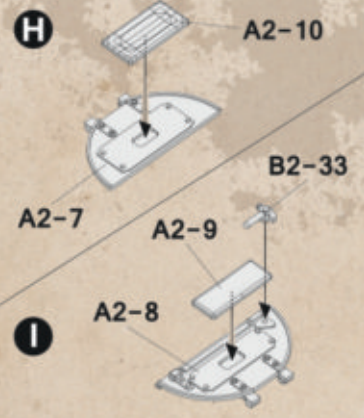
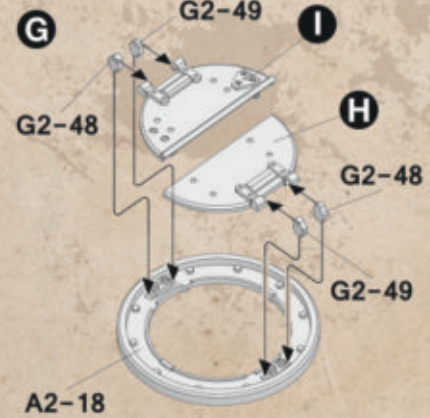
! B C



39

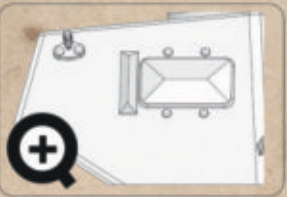
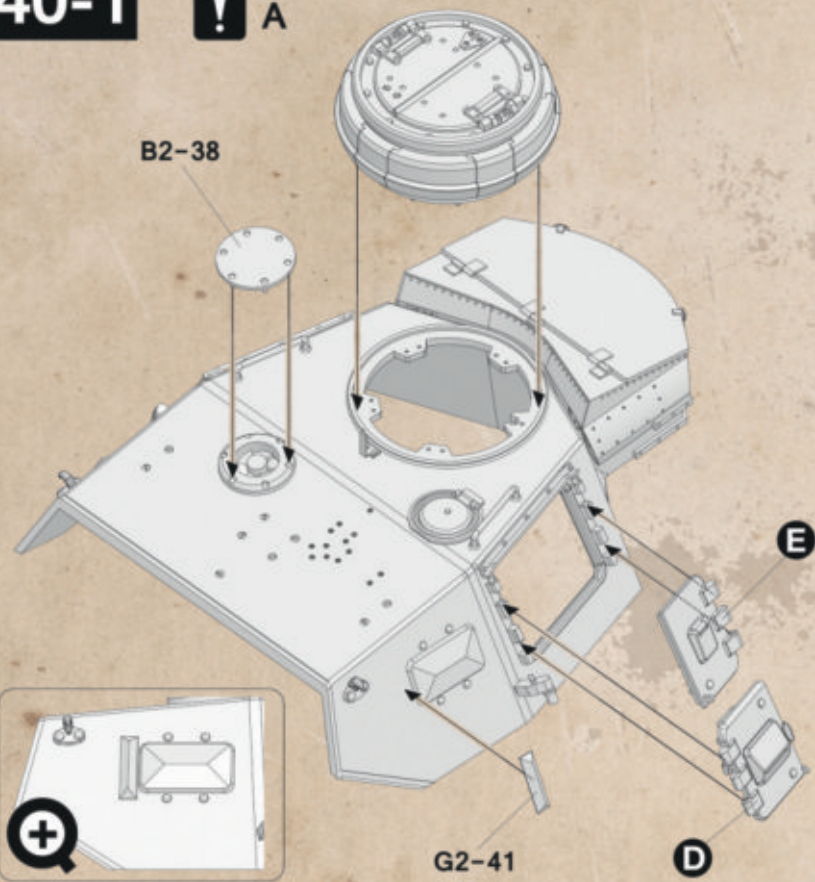


! Make 5



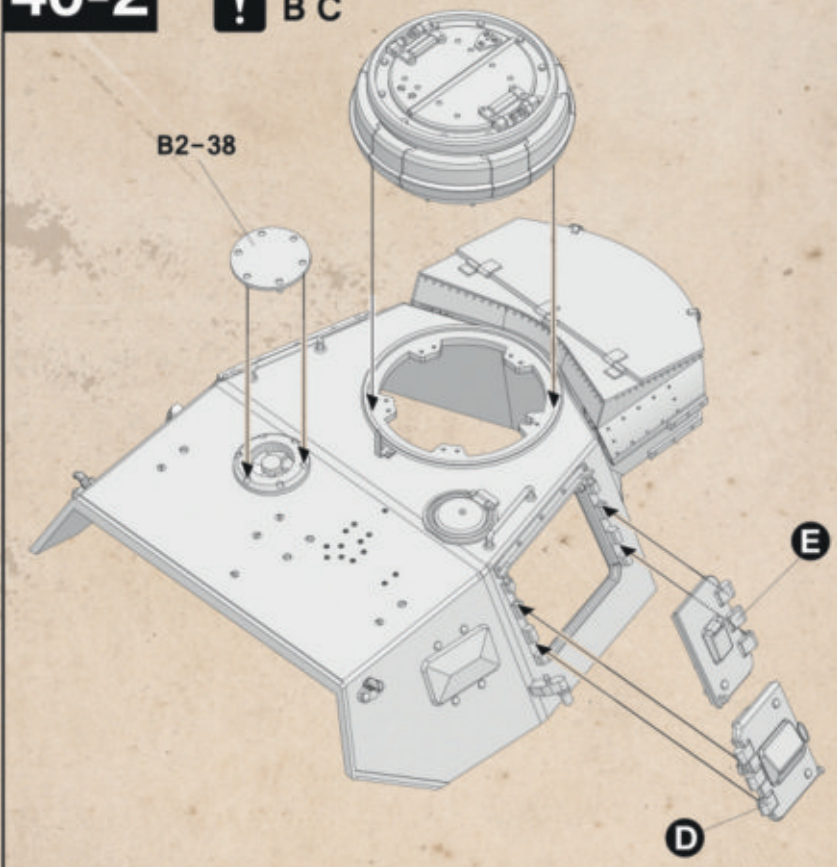
40-1

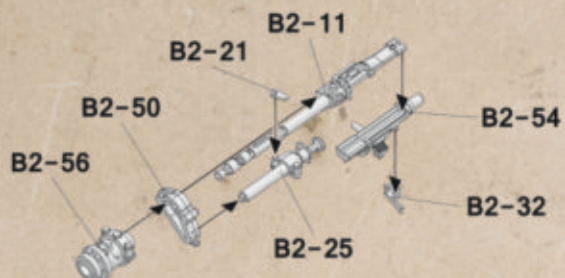
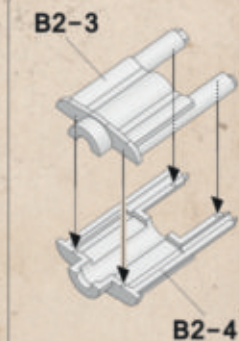
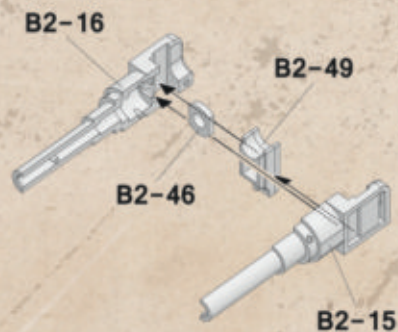
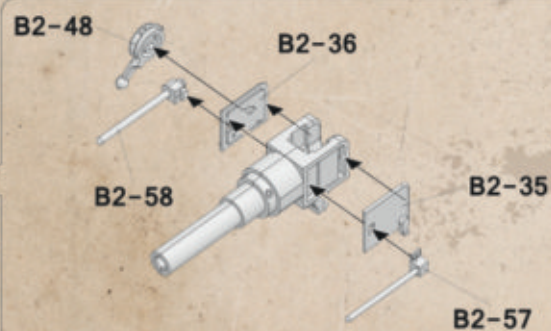
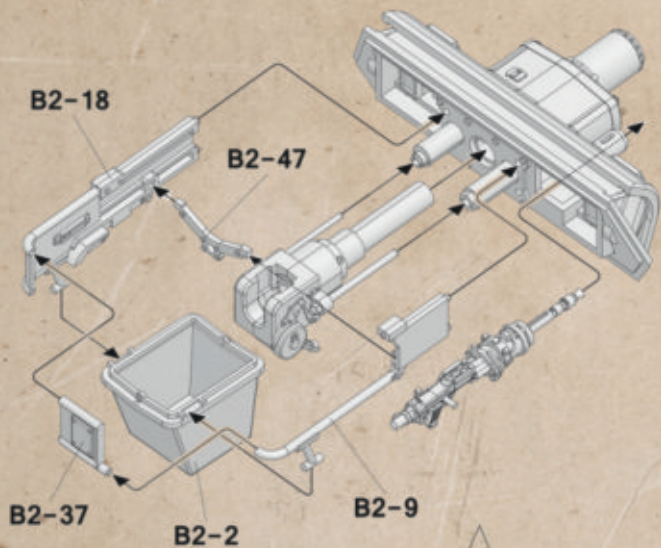
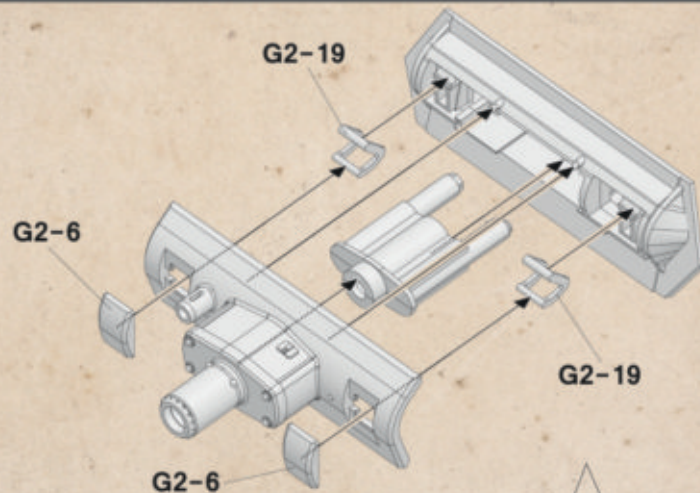
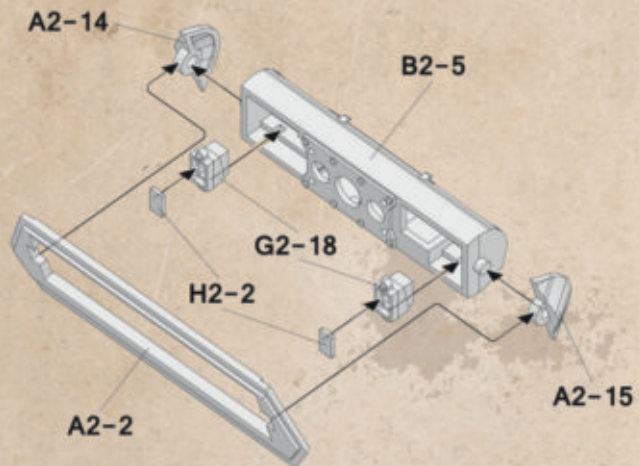
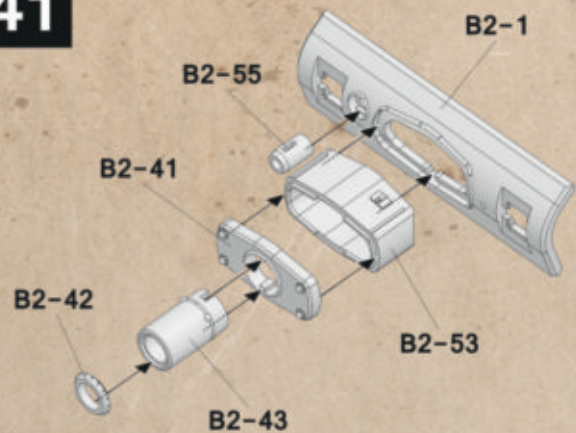
! A



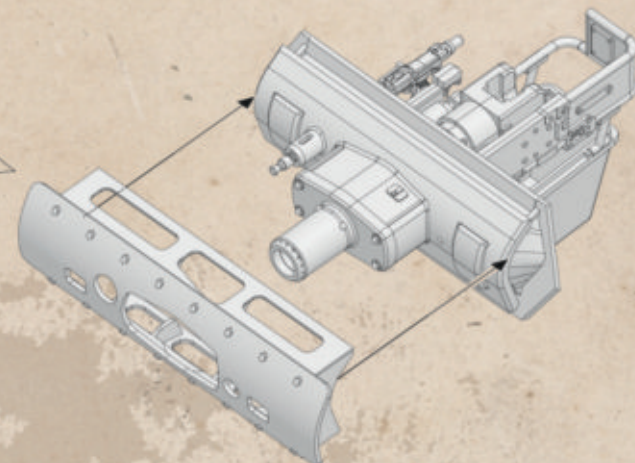
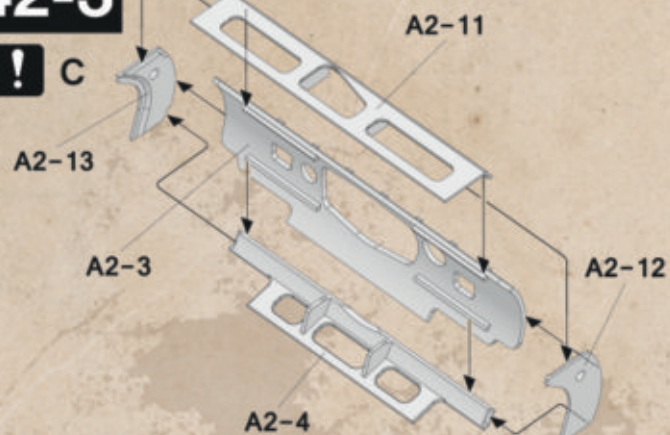
40-2

! B C



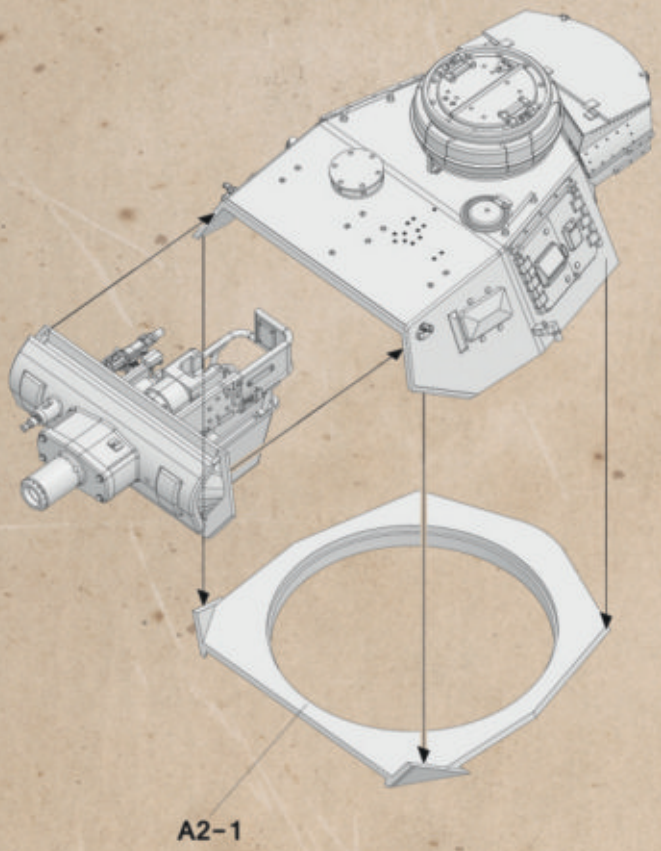


42-3



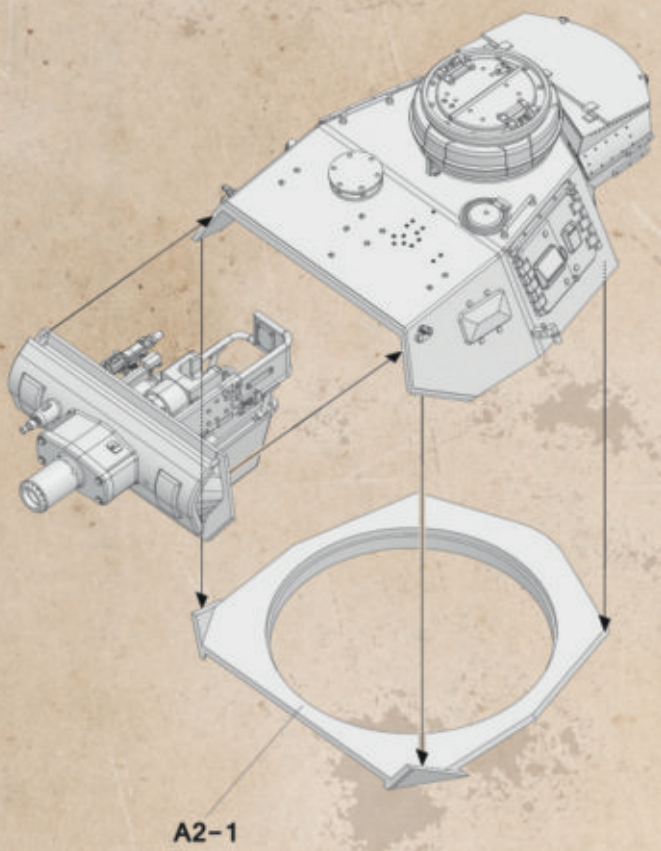
43-1

! A



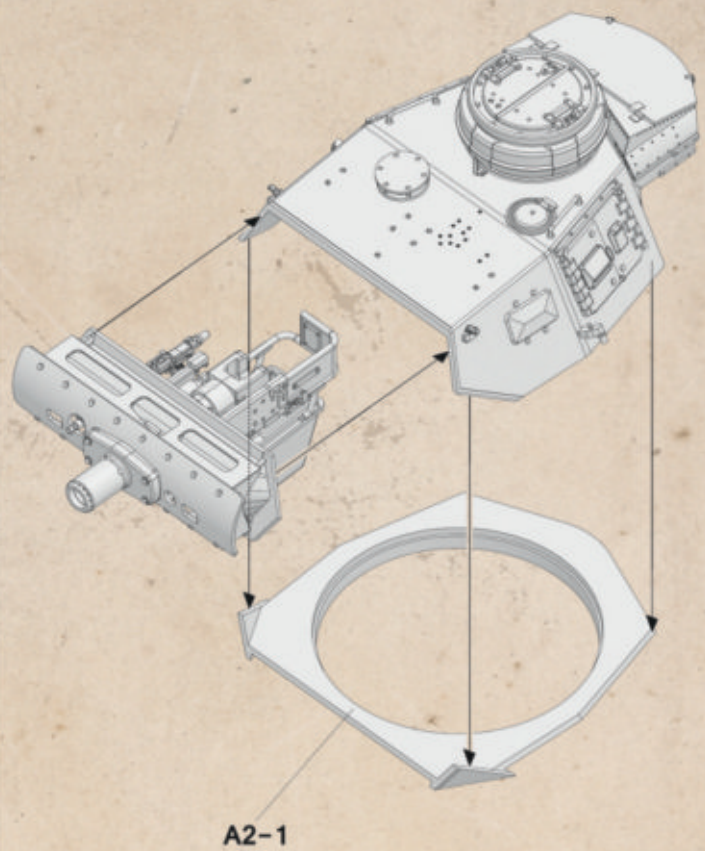
43-2

! B



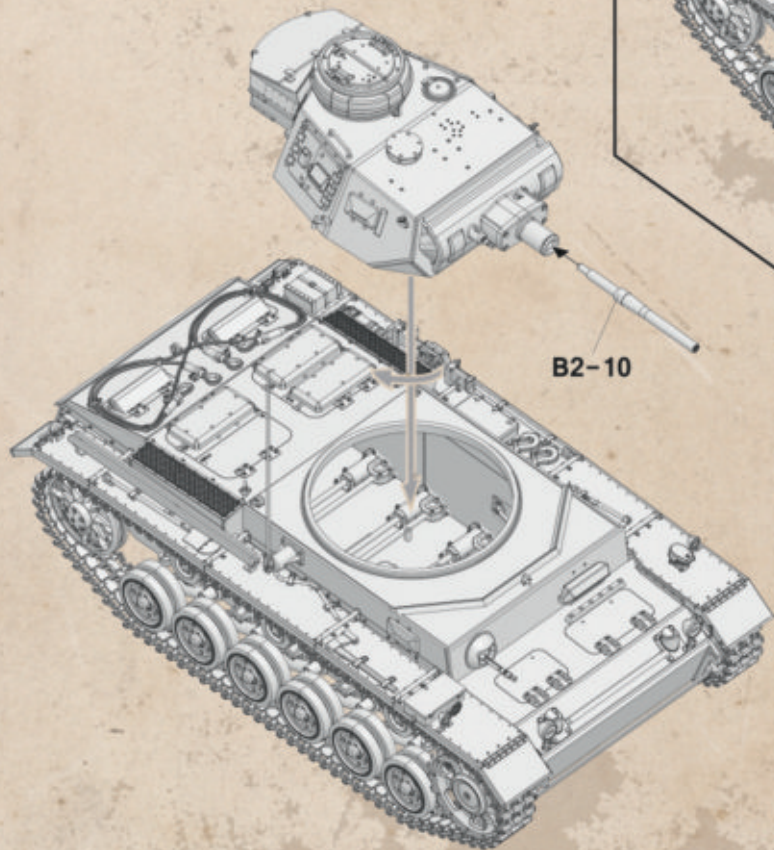
43-3

! C



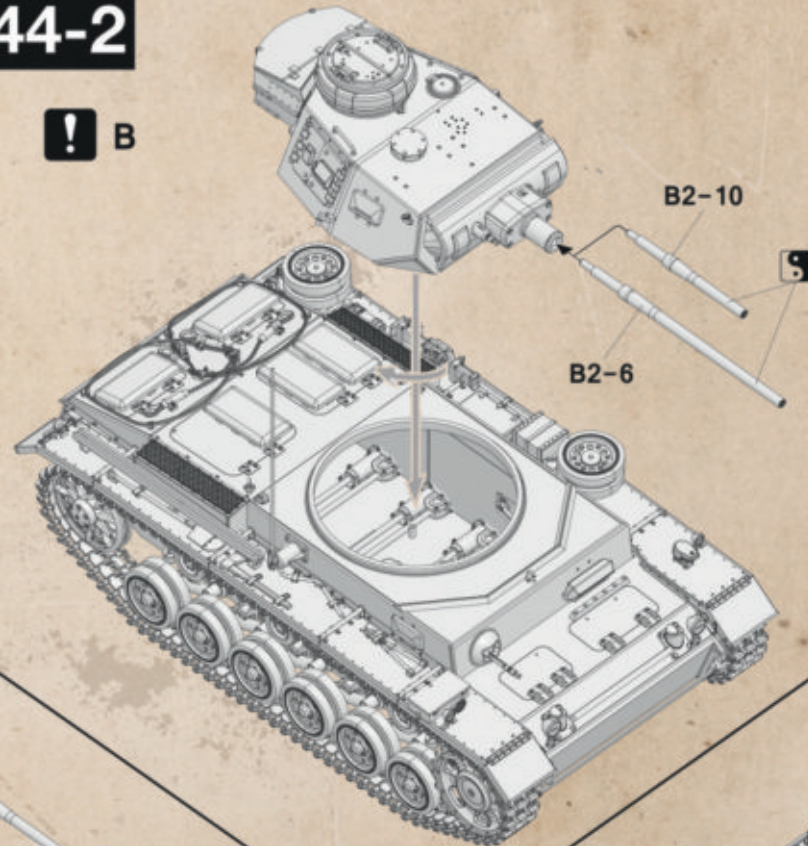
44-1

! A



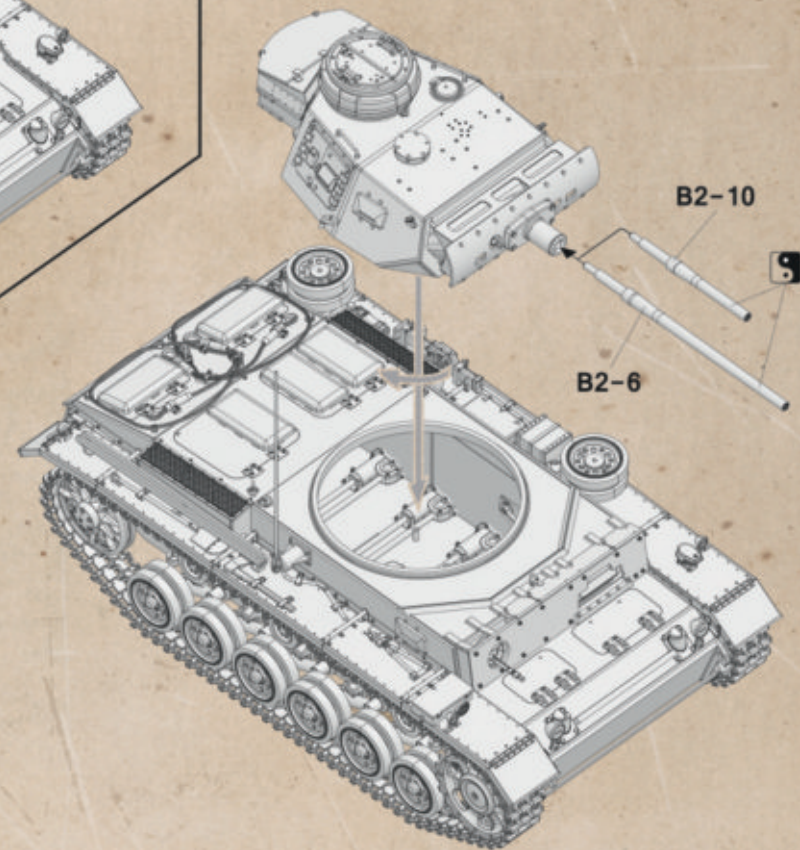
44-2

! B



44-3

! C





Panzer III Ausf.J

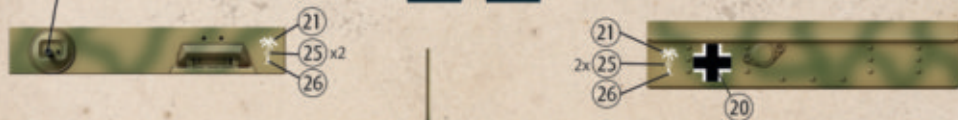
Color info and profiles by



Painting and Marking Guide

A.MG-0035	A.MG-0033	A.MG-0045	A.MG-0037
Dark Tracks	Rubber & Tires	Dark Metal	New Wood
A.MG-0040	A.MG-0042	A.MG-0039	A.MG-0006
Medium Rust	Oil Rust	RAL 9027 Sandgreen	RAL 7018 Greenish Grey

Panzer Regiment 5
Panzer Abteilung 190
North Africa, 1942



Panzer III Ausf.J

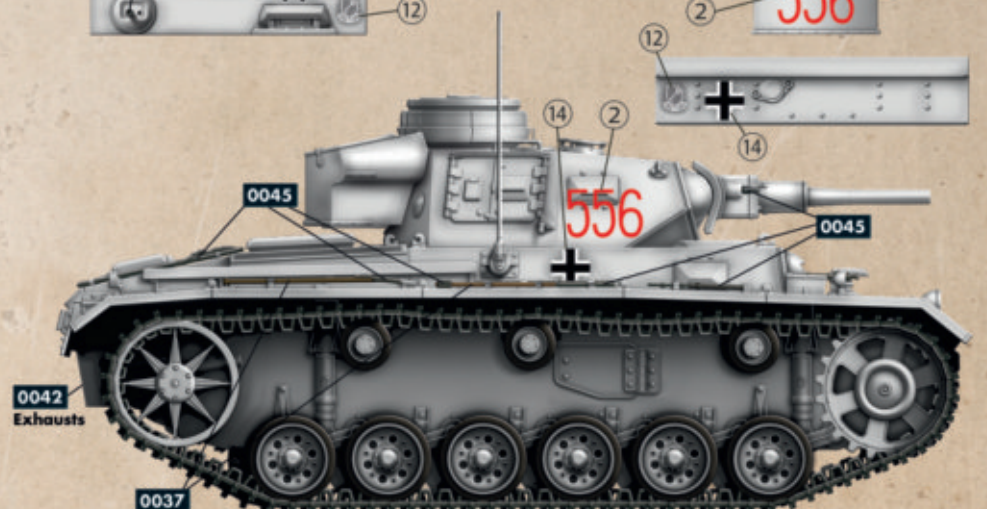
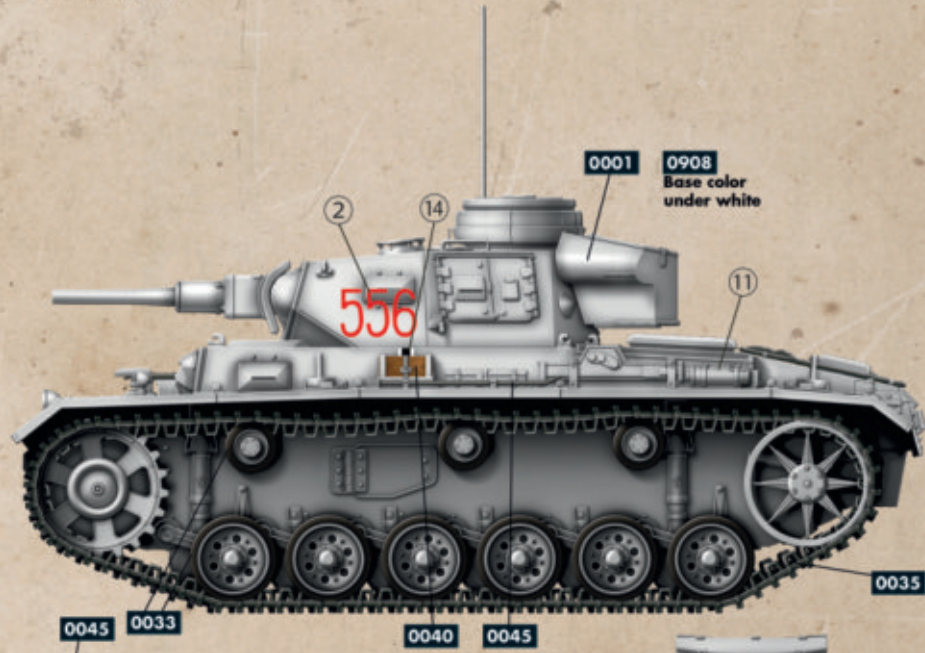
Color info and profiles by



Painting and Marking Guide

A.MG-0035	A.MG-0033	A.MG-0045	A.MG-0037
Dark Tracks	Rubber & Tires	Dark Metal	New Wood
A.MG-0040	A.MG-0042	A.MG-0039	A.MG-0001
Medium Rust	Oil Rust	Darkgrey Base	Fluorescent White

1.SS Panzer-Grenadier Division „LAH“
Kharkov/Russia, March 1943





Panzer III Ausf.J

Color info and profiles by



Panzer III Ausf.J

Color info and profiles by



Painting and Marking Guide

Panzer Regiment 8
15.Panzer Division
Lybia, Nov/Dec 1941

A.MG-0035	Dark Tracks	A.MG-0033	Rubber & Tires	A.MG-0045	Dark Metal	A.MG-0037	Base Wood
A.MG-0040	Mediums Fuel	A.MG-0042	Old Fuel	A.MG-0008	RAL 7027 Sandstone	A.MG-0008	RAL 7009 Claystone DPT2



Painting and Marking Guide

5.Panzer Regiment
24.Panzer Division
Stalingrad/Russia, September 1942

A.MG-0035	Dark Tracks	A.MG-0033	Rubber & Tires	A.MG-0045	Dark Metal	A.MG-0037	Base Wood
A.MG-0040	Mediums Fuel	A.MG-0042	Old Fuel	A.MG-0008	Dark Grey Base		





Panzer III Ausf.J

Color info and profiles by



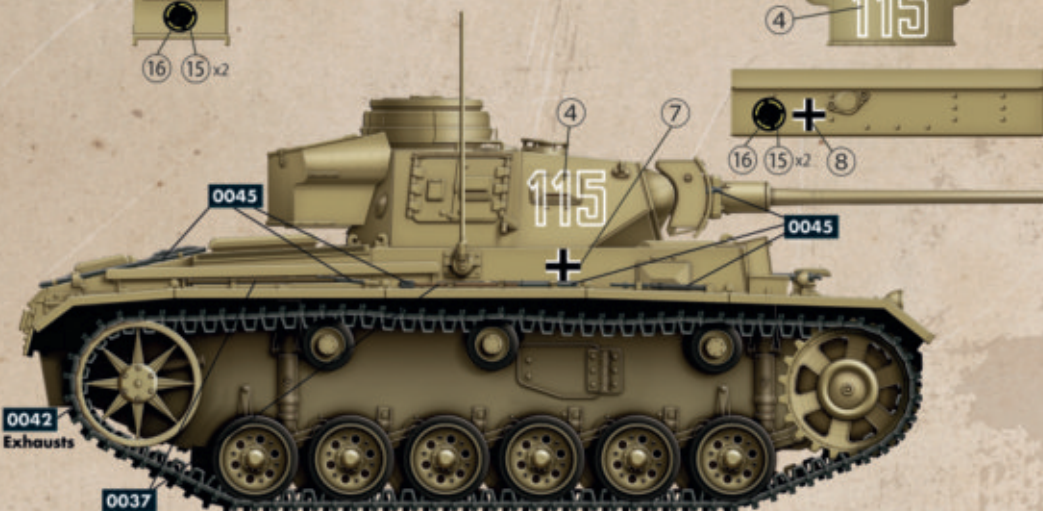
Panzer III Ausf.J

Color info and profiles by



Painting and Marking Guide

5.SS Panzer Grenadier Division
"Wiking"
Russia, April 1943



Painting and Marking Guide

3. Panzer-Grenadier Division
Stalingrad/Russia, December 1942

